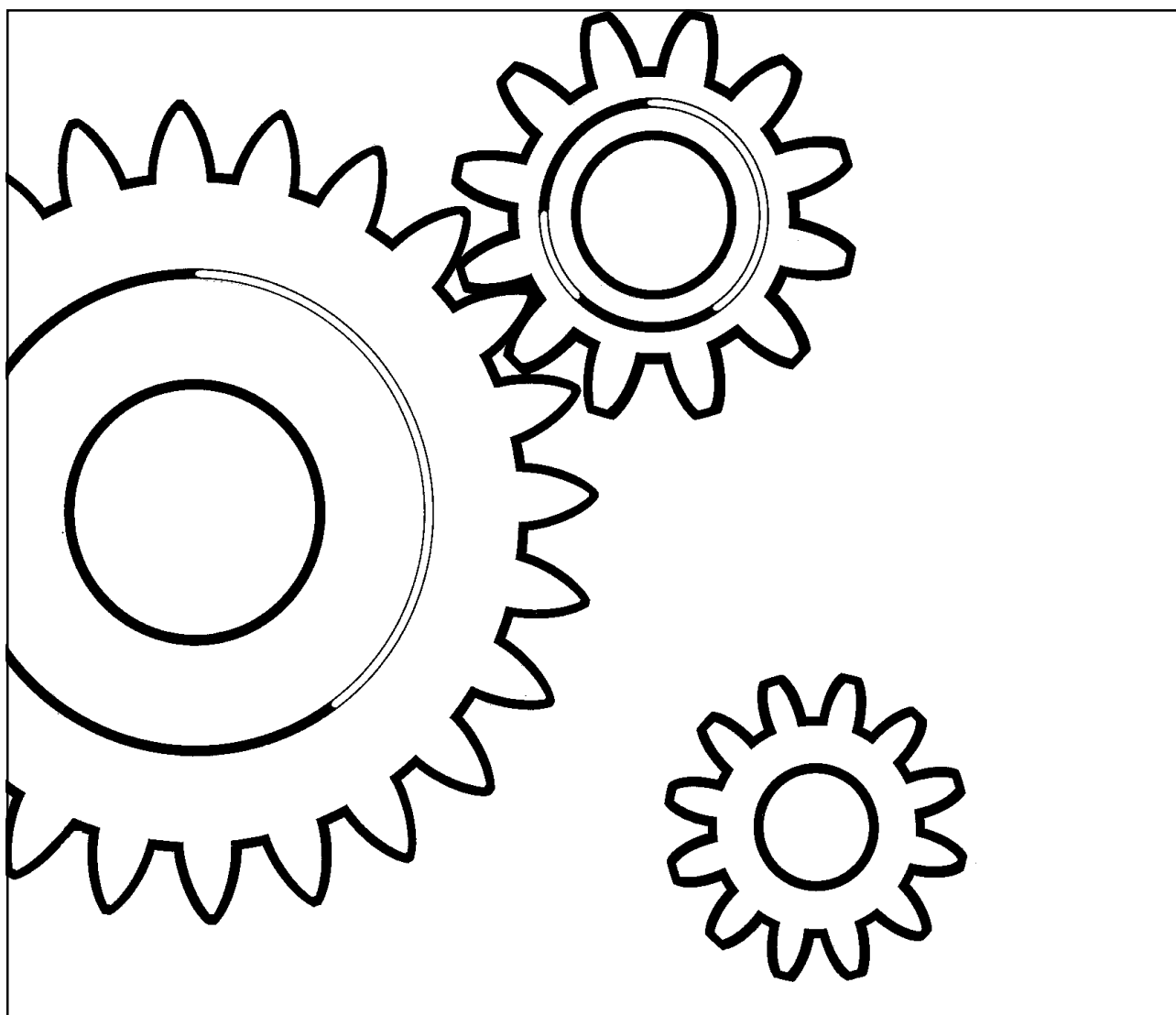


**DYNAPAC
LP750
SPARE PARTS
CATALOGUE
SLP750-1EN6**



DYNAPAC

Part of the Atlas Copco Group

Atlas Copco Construction Tools AB

SE-105 23 Stockholm, Sweden

Vibratory Double Drum Roller LP750

Spare Parts Catalogue

SLP750-1EN6

Valid from serial number:

Engines:

Hatz 1D60S

Hatz 1D81S

Published catalogue issues valid for these double drum rollers:

<i>Catalogue</i>	<i>Issue date</i>	
<i>L-S-10363-2</i>	<i>1996 -</i>	<i>Replaced by L-S-10363-3</i>
<i>L-S-10363-3</i>	<i>1996 - 11</i>	<i>Replaced by SLP750HEN1</i>
<i>SLP750HEN1</i>	<i>1998 - 03</i>	<i>Replaced by SLP750HEN2</i>
<i>SLP750HEN2</i>	<i>1999 - 03</i>	<i>Replaced by SLP750-1EN3</i>
<i>SLP750-1EN3</i>	<i>2000 - 01</i>	<i>Replaced by SLP750-1EN4</i>
<i>SLP750-1EN4</i>	<i>2001 - 04</i>	<i>Replaced by SLP750-1EN5</i>
<i>SLP750-1EN5</i>	<i>2007 - 01</i>	<i>Replaced by SLP750-1EN6</i>
<i>SLP750-1EN6</i>	<i>2009 - 04</i>	



RESERVDLSBESTÄLLNING

Följande uppgifter ska lämnas vid beställning av reservdelar för att undvika leveransfel:

1. Maskintyp.
2. Vältens serienummer.
3. Antal av önskad reservdel.
4. Reserdelens artikelnummer.
5. Reservdelens benämning.
6. Måttuppgifter vid beställning av metervara.

ERSATZTEILBESTELLUNG

Zur Vermeidung von Fehllieferungen sind bei der Bestellung von Ersatzteilen folgende Angaben zu machen:

1. Maschinentyp.
2. Herstellungsnummer.
3. Bestellmenge. (Quantity)
4. Ersatzteilnummer. (Part N°)
5. Ersatzteilbenennung. (Denomination)
6. Massangaben bei Bestellung von Meterware.

PEDIDO DE RECAMBIOS

Para evitar errores en las entregas, deberán indicarse los siguientes datos al hacer un pedido de recambios:

1. Tipo de máquina.
2. Número de serie.
3. Cantidad de piezas deseadas. (Quantity)
4. Número de artículo de la pieza de recambio. (Part N°)
5. Denominación de la pieza. (Denomination)
6. Indíquese la medida al solicitar un artículo que se expide por metros.

ORDERING SPARE PARTS

To avoid errors in delivery, please give the following information when ordering spare parts:

1. Type of machine.
2. Roller serial number.
3. Quantity required.
4. Part number.
5. Parts denomination.
6. Dimensions when ordering per length.

ORDINI DI RICAMBI

Per evitare errori nelle consegne di ricambi, Vi preghiamo di comunicarci le seguenti informazioni al momento dell'ordinazione:

1. Tipo di macchina.
2. Numero di serie della macchina.
3. Quantità dei pezzi desiderati. (Quantity)
4. Numero di codice del pezzo. (Part N°)
5. Descrizione del pezzo di ricambio. (Denomination)
6. Misura, in caso di ordine per metro.

COMMANDE DE PIÈCES DE RECHANGE

Les indications suivantes doivent être fournies lors de la commande de pièces de rechange, afin d'éviter toute erreur de livraison:

1. Type de machine.
2. Numéro de série.
3. Quantité désirée de pièce de rechange. (Quantity)
4. Numéro de la pièce de rechange. (Part N°)
5. Dénomination de la pièce de rechange. (Denomination)
6. Longueur en cas de commande au mètre.

YOUR AGENT/DEALER:

PÄRMETIKETT

För att undvika fel vid reservdelsbeställning finns här nedan två etiketter som passar i fickorna på pärmarnas ryggar. På dessa kan man se från vilket vältnummer av aktuell maskin reservdelskatalogen gäller. Gör så här:

1. Tag denna sida ur pärmen.
2. Klipp ut etiketten till **VÄNSTER** (1) och sätt in den i fickan på **DENNA** pärmens rygg.
3. Finns det en etikett till **HÖGER** (2), kan denna användas på pärmen för **FÖREGÅENDE** utgåva av denna katalog.
4. Kasta detta papper.

KATALOG-BESCHRIFTUNG

Zur Vermeidung von Fehlern bei der Ersatzteilbestellung benutzen Sie bitte die unteren Beschriftungen, um die Kataloge auf der Rückseite zu kennzeichnen. Auf der Beschriftung ist angegeben, für welche Maschinennummern der jeweilige Katalog gültig ist. Ablauf:

1. Nehmen Sie dieses Blatt aus dem Katalog.
2. Schneiden Sie die **LINKE** Beschriftung (1) aus. Schieben Sie die Beschriftung in die tasche auf **DEM** Katalogrücke.
3. Sollte die Beschriftung unten **RECHTS** (2) mitgeliefert werden, kennzeichnen Sie damit bitte die **ÄLTERE** Ausführung dieses Kataloges.
4. Den Rest dieses Blattes bitte vernichten.

ETIQUETA PARA LA CARPETA

Para evitar errores al pedir repuestos utilicen las etiquetas abajo descritas para identificar los catálogos en la parte trasera de la carpeta. En la etiqueta se ven los números de referencia de la serie para la cual es válido el catálogo. Instrucciones:

1. Quitar esta página de la carpeta.
2. Corta la etiqueta **IZQUIERDA** (1) y ponerla en **ESTA** carpeta en la parte trasera.
3. Si hay una etiqueta en la parte **DERECHA** (2) se puede utilizar en la carpeta para el catálogo que **PRECEDE** a esta.
4. Tirar esta hoja.

BINDER LABEL

To avoid errors when ordering spare parts use the labels below to identify the catalogues on the back of the binder. The label contain the serial number range for which the catalogue is valid. Do like this:

1. Remove this page from the binder.
2. Cut out the **LEFT** label (1) and put it on **THIS** binders back.
3. If there is a label to the **RIGHT** (2), it can be used on the binder for **PRECEDING** issue of this catalogue.
4. Throw away this paper.

ETICHETTAPOSTASULRACCOGLITORE

Per evitare errori quando ordinate pezzi di ricambio, usate le etichette in calce che servono ad identificare i cataloghi sul retro del raccoglitore. L'etichetta indica il numero di matricola delle macchine prese in considerazione nel catalogo.

1. Rimuovete questa pagina dal raccoglitore.
2. Ritagliate l'etichetta posta a **SINISTRA** (1) e ponetela sul retro **DEL** raccoglitore.
3. Se trovate anche un'etichetta sulla **DESTRA** (2), ritagliatela e ponetela sul raccoglitore relativo alla **PRECEDENTE** edizione del catalogo.
4. Distruggete questo foglio.

ETIQUETAGE DU CATALOGUE

Afin d'éviter des erreurs lors de commandes de pièces de rechange, nous vous conseillons d'apposer les marquages ci-dessous à l'arrière du classeur, pour identifier les catalogues. Ce marquage indique les numéros de série pour lesquels le catalogue est adapté. Il convient de procéder de la façon suivante:

1. Retirez cette page du classeur.
2. Découpez l'étiquette de **GAUCHE** (1), et apposez-la à l'arrière de **CE** catalogue.
3. Si il y a une étiquette à **DROITE** (2), vous pourrez l'apposer sur le classeur de l'édition **PRECEDENTE** du catalogue.
4. Détruire cette feuille.

1.



TABLE OF CONTENTS

Page

LP750	2
Frame	4
Frame	6
Scraper and sprinkler	8
Drums and eccentric element	10
Drums and eccentric element	12
Engine	14
Engine, Hatz 1D60S Up to SN -47501032	16
Engine, Hatz 1D81S From SN -47501033	20
Transmission	24
Clutch	26
Drive system Up to SN 47500530	28
Drive system From SN 47500531	30
4700286400 Chain tensioner	32
4700380201 Chain tensioner	34
Hydraulic system	36
Hydraulic system	38
4700286912 Hydraulic pump	42
Hydraulic pump installation	44
4700286768 Hydraulic motor	46
Electrical equipment	48
Electrical equipment	50
Handle and controls	52
Handle	54
Decals and documentation	56
Decals and documentation	58



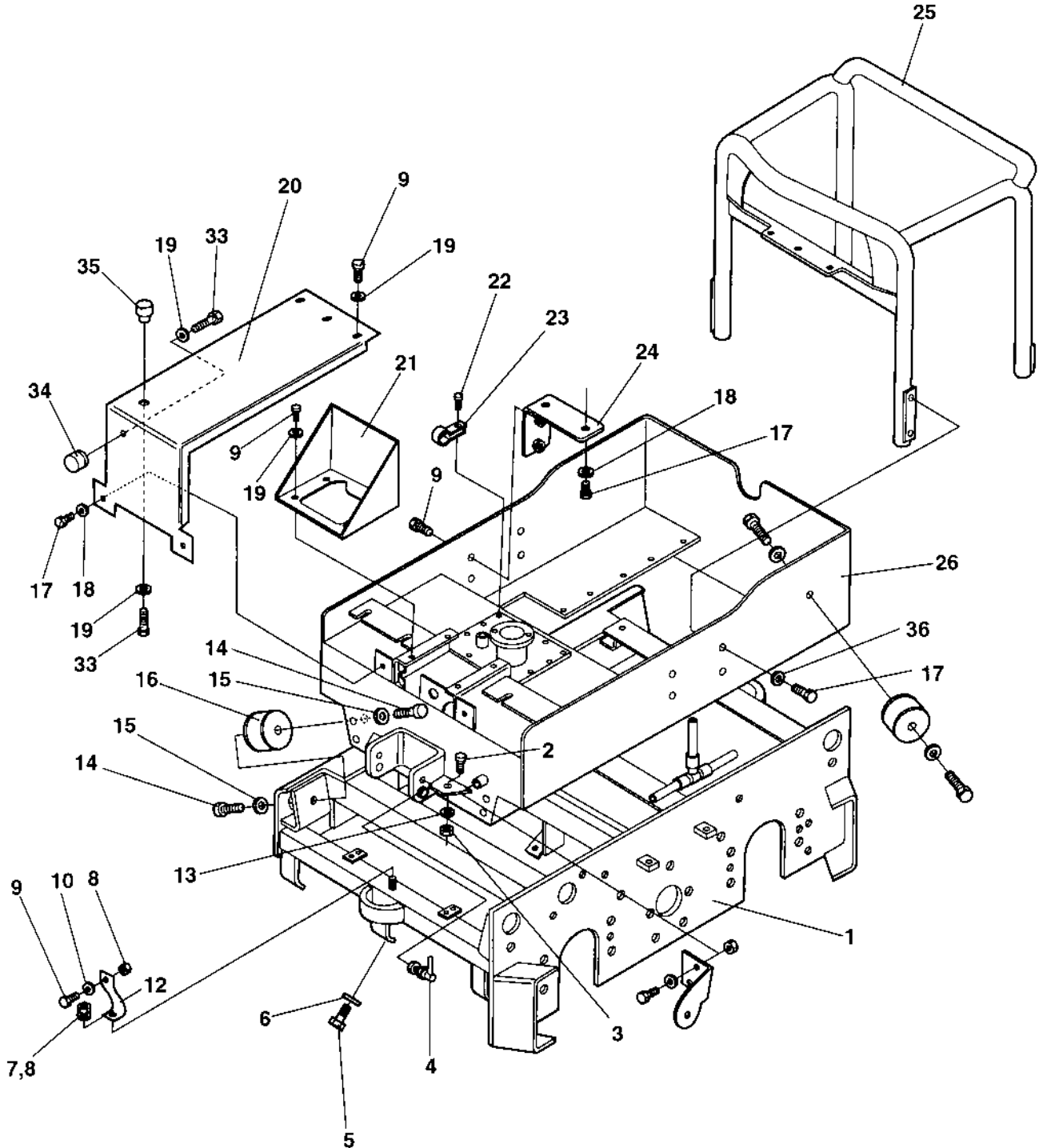
LP750

Item	Part No.	Rem. Qty	Description	Code
10			Frame (Page 4)	
20			Drums and eccentric element (Page 10)	
30			Engine (Page 14)	
40			Transmission (Page 24)	
50			Hydraulic system (Page 36)	
60			Electrical equipment (Page 48)	
70			Handle and controls (Page 52)	
80			Decals and documentation (Page 56)	

Frame

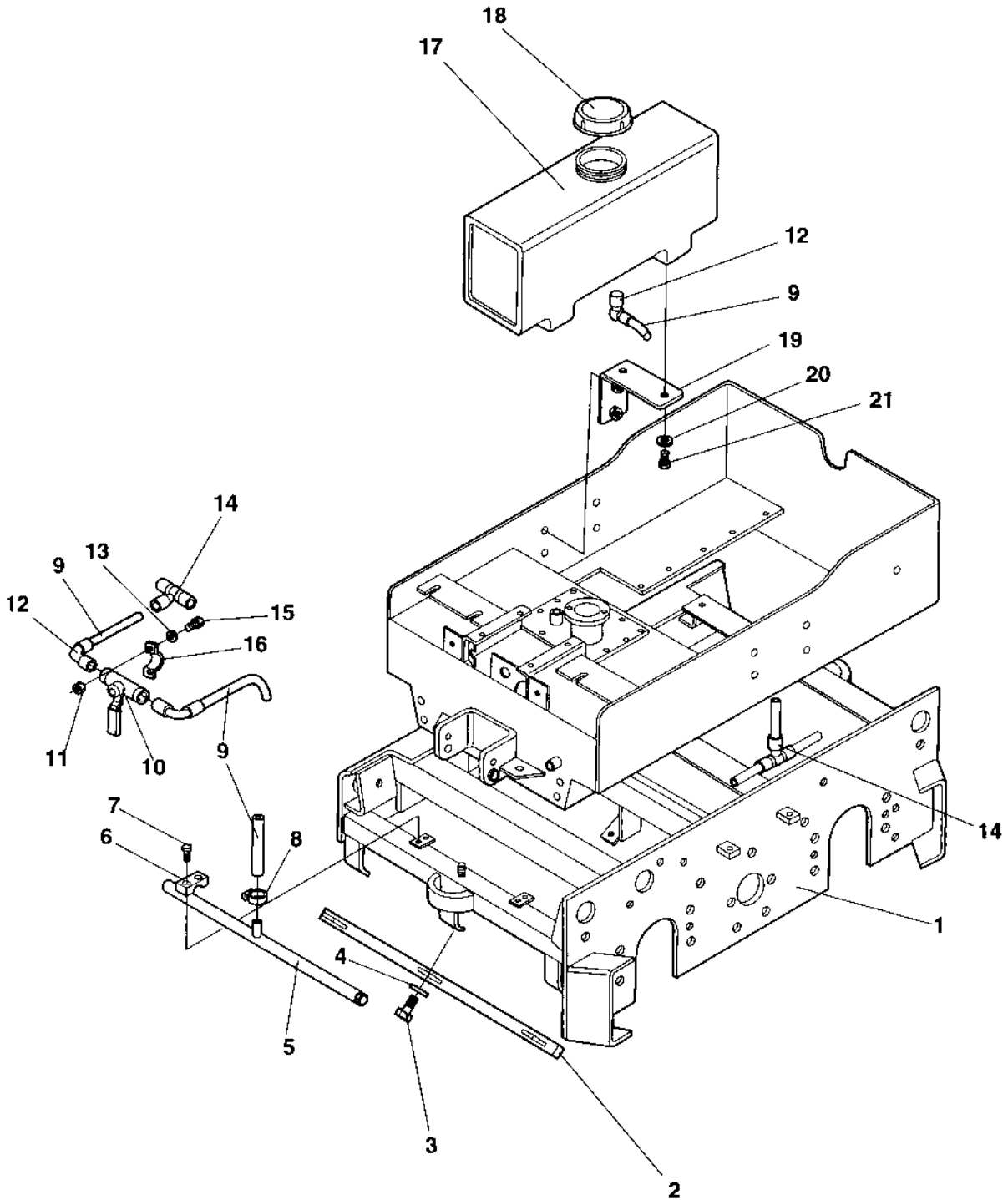
Item	Part No.	Rem. Qty	Description	Code
10			Frame (Page 6)	
20			Scraper and sprinkler (Page 8)	

Frame
16763-1



Frame

Item	Part No.	Rem. Qty	Description	Code
1	D286903-02	1	Lower frame	
2	4700500031	2	Screw	
3	4700281804	2	Rubber stop	D
4	4700286854	1	Bolt with nuts	
5	4700500028	12	Screw	
6	4700603006	12	Washer	
7	4700615072	10	Washer	
8	4700586018	12	Lock nut	
9	4700500028	14	Screw	
10	4700615072	8	Washer	
12	4700280417	1	Strap	B
13	4700570006	2	Nut	
14	4700500154	8	Screw	M16-2,0x25 8,8
15	4700904232	8	Washer	
16	4700272593	4	Shock absorber	B
17	4700500051	18	Screw	M12x25H 8.8 A3K
18	4700904231	26	Washer	13x24x2 300 HV
19	4700904230	34	Washer	
20	D286867-01	1	Hood	
21	4700286852	1	Battery box	
22	4700500021	1	Screw	M8-1,25x25 8.8
23	4700921072	1	Clamp	
24	4700286848	2	Hold	
25	4700286907	1	Safety mast	
26	D286864-01	1	Engine rack	
27	4700286929	2	Spacer	
28	4700586019	4	Lock nut	
29	4700286926	1	Support, right	
	4700286927	1	Support, left	
30	4700500194	4	Screw	
31	D100505036	1	Strap	D
32	4700500030	1	Screw Model Rear	
33	4700500191	1	Screw	M10x14
34	4700371773	1	Shock absorber	
35	4700380768	1	Trunnion	
36	4700904703	8	Washer	



Scraper and sprinkler

Item	Part No.	Rem. Qty	Description	Code
1		1	Lower frame	
2	4700184011	4	Scraper	B
3	4700500028	12	Screw	
4	4700904567	12	Washer	10,5x28x6 HB305
5	4700286888	2	Sprinkler tube	A
6	4700106838	4	Clamp	
7	4700508002	8	Screw	
8	4700313001	2	Hose clamp	
9	4700244055	A	Plastic hose	D
10	D100901416	1	Ball valve	
11	4700586002	2	Lock nut	M6 -8
12	4700182947	4	Adapter	D
13	4700600004	2	Washer	
14	4700286857	2	Adapter	
15	4700500040	2	Screw	M6-1x20 8,8
16	4700286379	1	Clamp	
17	4700286898	2	Water tank	
18	4700920819	2	Filler cap	D
19	4700286848	2	Hold	
20	4700615045	4	Conical spring washer	
21	4700500051	4	Screw	M12x25H 8.8 A3K

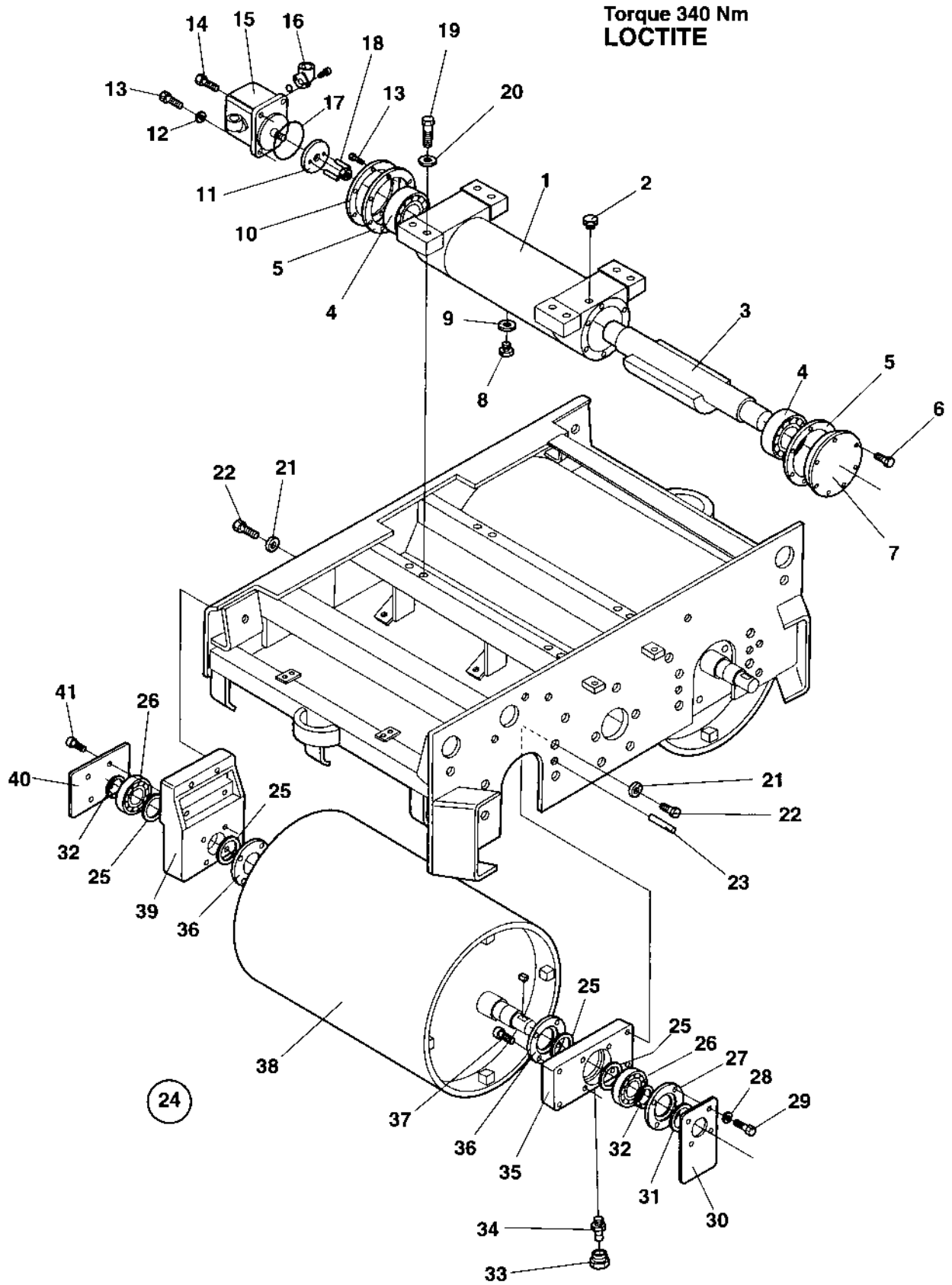
A) L=1800 mm

Drums and eccentric element

Item	Part No.	Rem. Qty	Description	Code
10			Drums and eccentric element (Page 12)	

Drums and eccentric element

16342



Drums and eccentric element

Item	Part No.	Rem. Qty	Description	Code
1	4700286880	1	Eccentric housing	
2	4700272507	1	Oil dipstick	
3	4700286882	1	Shaft	
4	4700114092	2	Roller bearing	D
5	4700274618	2	Gasket	D
6	4700500053	6	Screw	M8x20H 8.8
7	4700274615	1	Bearing cover	
8	4700232241	1	Oil plug	D
9	4700162011	1	Washer, sealing	D
10	4700286878	1	Bearing cover	
11	4700286877	1	Clutch	
12	4700162009	2	Seal ring	D
13	4700508019	7	Screw	M8x25
14	4700508092	2	Screw	
15	4700286914	1	Hydraulic motor, vibration	C
16	4700286916	2	Connection	
17	4700160031	1	O-ring	D
18	4700628007	2	Pin	
19	4700924762	8	Screw	
20	4700904232	8	Washer	
21	4700904231	23	Washer	13x24x2 300 HV
22	4700925519	16	Screw	M12x55 10.9 GEOMET
23	4700629033	8	Pin	
24	4700286945	2	Drum assy	
25	4700286797	C 4	.Sealing	D
	4700163096	D 1	.Sealing	
26	4700114007	2	.Spherical roller bearing	D
27	4700274622	1	.Bearing cover	
28	4700904229	4	.Washer	8,4x16x1,5
29	4700500047	4	.Screw	
30	4700274623	1	.Protecting plate	
31	4700163095	1	.Sealing	D
32	4700150017	2	.Retaining ring	D
33	4700380364	2	.Protective plug	
34	4700926214	2	.Grease fitting	D
35	4700274621	E 1	.Bearing housing	
	4700380369	F 1	.Bearing housing	
36	4700286799	2	.Bearing bracket	
37	4700513013	8	.Screw	
38	4700183936	1	.Drum Up to 47500626	
	D283599-03	1	.Drum From 47500627	
39	4700274589	E 1	.Bearing housing	
	4700380370	F 1	.Bearing housing	
40	4700274624	1	.Bearing cover	
41	4700508092	4	.Screw	

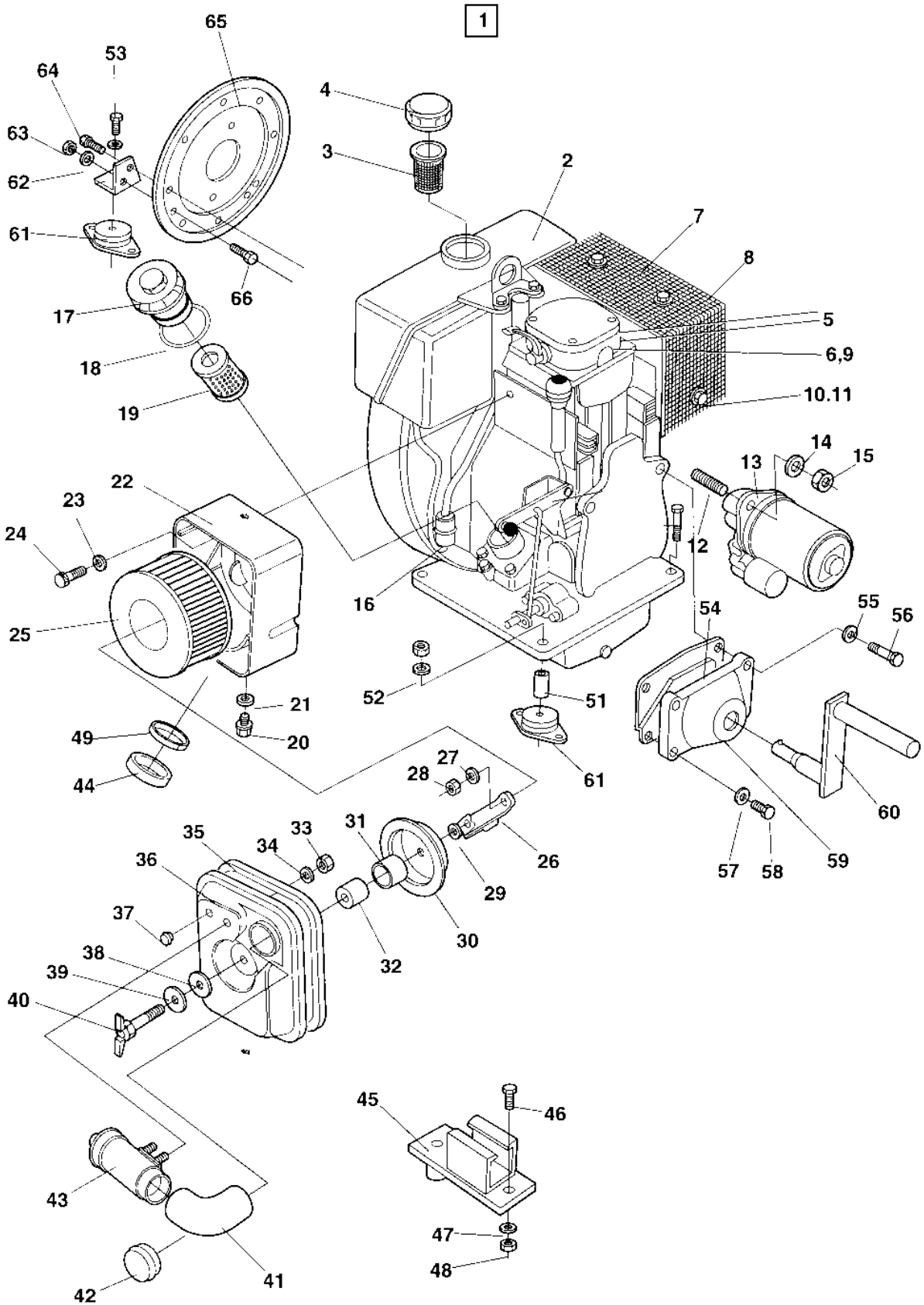
- C) Old version thickness=10mm
- D) New version thickness=8mm
- E) Without protective plug
- F) With protective plug

Engine

Item	Part No.	Rem. Qty	Description	Code
10			Engine, Hatz 1D60S (Page 16)	Up to SN -47501032
20			Engine, Hatz 1D81S (Page 20)	From SN -47501033

Engine, Hatz 1D60S Up to SN -47501032

16343-1



Engine, Hatz 1D60S Up to SN -47501032

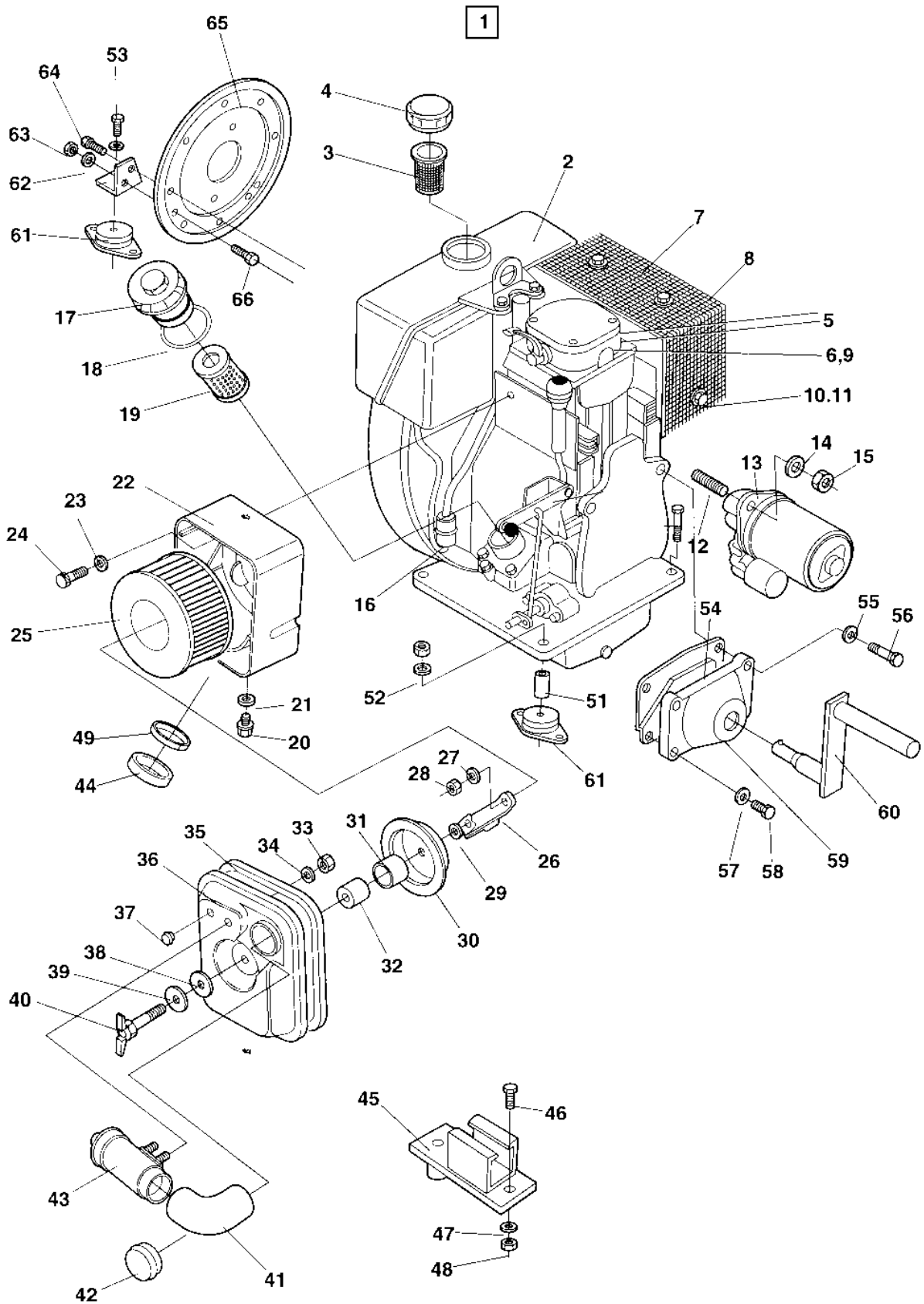
Item	Part No.	Rem. Qty	Description	Code
1	4700286921	1	Engine, electrical start, cpl	
	4700286922		Engine, man. cpl	
2	4700239419	1	.Fuel tank	D
3	4700239550	1	.Fuel strainer	D
4	4700239554	1	.Fuel cap	D
5	4700239333	1	.Gasket	D
6	4700239424	1	.Injector, cpl	
7	4700239421	1	.Muffler	D
8	4700239428	1	.Muffler cover	
9	4700239425	1	.Nozzle	D
10	4700500058	5	.Screw	
11	4700928381	5	.Washer	
12	4700935610	2	.Screw	
13	4700239501	1	.Starter	
14	4700935611	2	.Washer	
15	4700935612	2	.Nut	
16	4700238360	1	.Fuel filter	A
17	4700935608	1	.Oil filter cover, cpl	
18	4700239335	1	.O-ring	B
19	4700239326	1	.Oil filter	A
20	4700239534	1	.Screw	
21	4700239533	1	.Washer	
22	4700239516	1	.Housing	
23	4700239517	1	Washer	
24	4700239518	1	Screw	
25	4700239423	1	Air filter element	A
26	4700239519	1	Bracket	
27	4700239520	3	Washer	
28	4700239521	1	Nut	
29	4700239522	1	Washer	
30	4700239523	1	Cover	
31	4700239524	1	Bushing	
32	4700239525	1	Gasket	
33	4700239887	2	Nut	
34	4700239886	2	Washer	
35	4700239526	1	Gasket	D
36	4700239527	1	Cover	
37	4700239532	2	Plug	
38	4700239529	1	Washer	
39	4700239530	1	Washer	
40	4700239531	1	Screw	
41	4700239882	1	Elbow	
42	4700935609	1	Plug	
43	4700239883	1	Cyclone	
44	4700239885	1	Cover	
45	4700281183	1	Crank holder	
46	4700500053	2	Screw	
47	4700904229	2	Washer	
48	4700570005	2	Nut	
49	4700239888	1	Hose clamp	
51	4700239919	2	Spacer	
52	4700615045	2	Conical spring washer	
53	4700500194	2	Screw	
54	4700935753	1	Gasket	
55	4700935752	2	Washer	
56	4700508096	2	Screw	
57	4700239520	3	Washer	
58	4700508092	2	Screw	
59	4700239553	1	Collar bearing	
60	4700239382	1	Safety crank	D

M16-2,0x65 8,8
6,4x18x1,6

M8x20H 8.8
8,4x16x1,5
M8

Engine, Hatz 1D60S Up to SN -47501032

16343-1

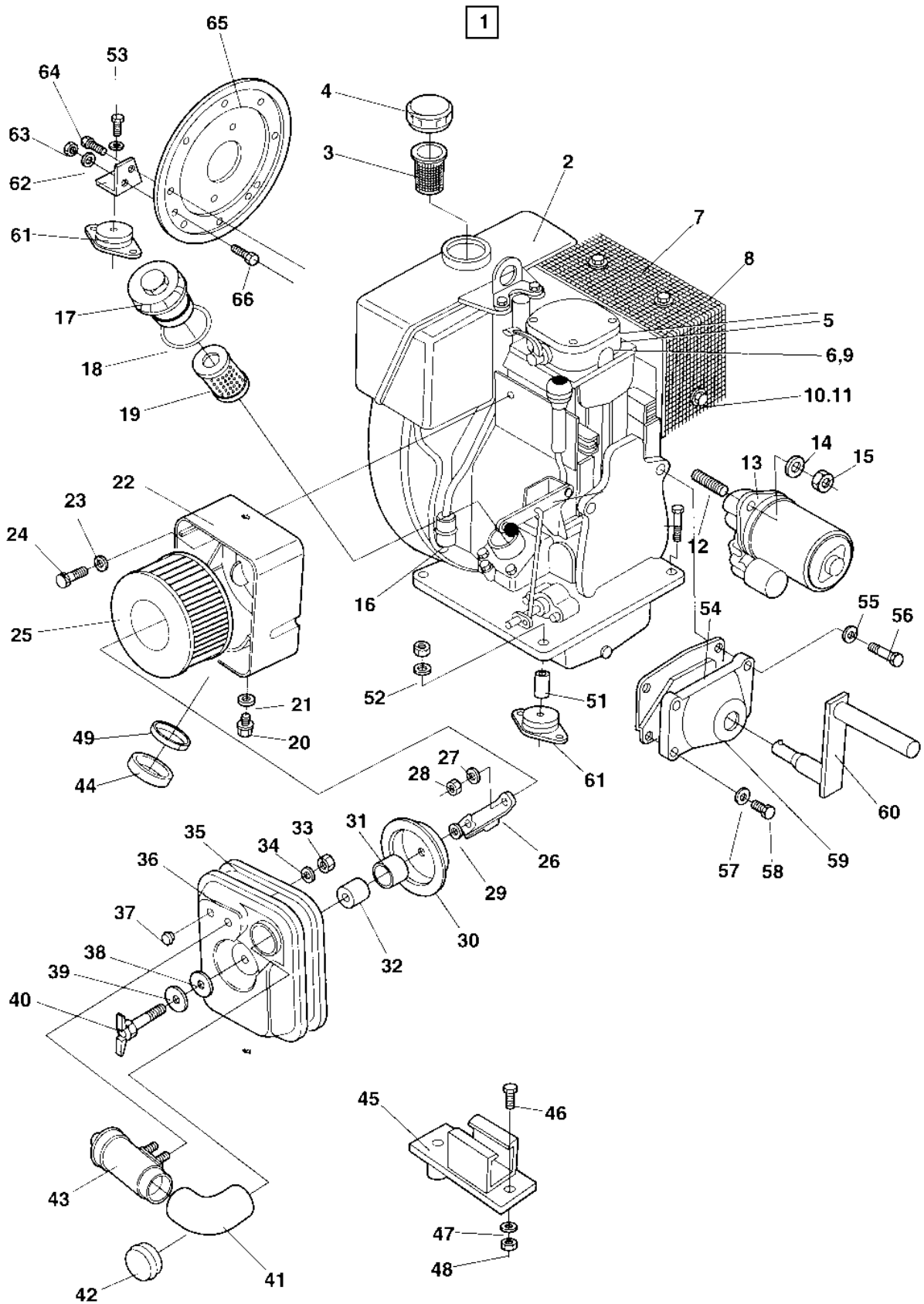


Engine, Hatz 1D60S Up to SN -47501032

Item	Part No.	Rem. Qty	Description	Code
61	4700287441	4	Shock absorber	D
62	4700604007	4	Spring washer	
63	4700570006	4	Nut	
64	4700513014	2	Screw	M10-1,5x30 10.9
65	4700239923	1	Adapter	
66	4700500029	2	Screw	
67	4700244054	1	Hose reinforced	
68	4700185324	2	Nipple	D
69	4700182947	1	Adapter	D
70	4700313003	1	Hose clamp	D
71	4700281115	2	Screw	
72	4700281116	2	Ryw-clips	

Engine, Hatz 1D81S From SN -47501033

16343-1



Engine, Hatz 1D81S From SN -47501033

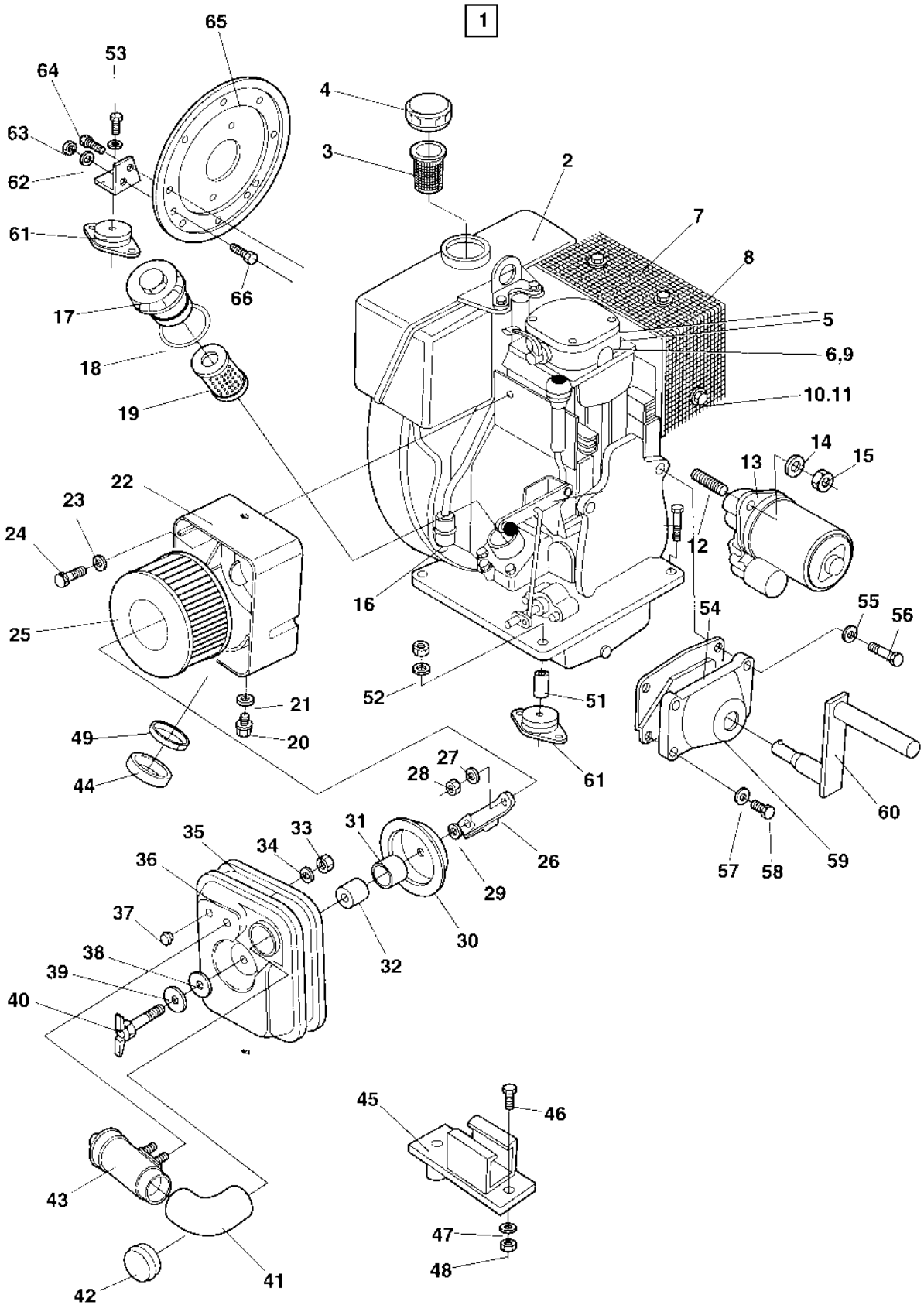
Item	Part No.	Rem. Qty	Description	Code
1	4700379098	1	Engine, cpl	Hatz 1D81, Manual started
	4700379099	1	Engine, cpl	Hatz 1D81, Electric started
2	4700935942	1	.Fuel tank, cpl	D
3			Not used on this model	D
4	4700937428	1	.Fuel cap	
5	4700239333	1	.Gasket	D
6		1	.Injector	D
7	4700937452	1	.Muffler, cpl	
8	4700239428	1	.Muffler cover	
9		1	.Main jet	
10	4700508025	5	.Screw	M6x20
11	4700239886	5	.Washer	
12	4700938594	2	.Stud	
13	4700239501	1	.Starter	
14	4700935611	2	.Washer	
15	4700935612	2	.Nut	
16	4700937616	1	.Fuel filter	
17	4700935608	1	.Oil filter cover, cpl	
18	4700239335	2	.O-ring	B
19	4700239326	1	.Oil filter	A
20	4700239534	1	.Screw	
21	4700936907	1	.Washer	
22	4700239516	B	.Housing	
23	4700936910	1	Washer	
24	4700239518	1	Screw	
25	4700239423	1	Air filter element	A
26	4700239519	1	Bracket	
27	4700239520	2	Washer	
28	4700239521	1	Nut	
29	4700239522	1	Washer	
30	4700239523	1	Cover	
31	4700239524	1	Bushing	
32	4700239525	1	Gasket	
33	4700239887	2	Nut	
34	4700239886	2	Washer	
35	4700239526	1	Gasket	D
36	4700239527	C	Cover	
37		2	Not used on this model	
38	4700239530	1	Washer	
39	4700239529	1	Washer	
40	4700239531	1	Screw	
41	4700239882	1	Elbow	
42			Not used on this model	
43	4700239883	1	Cyclone	
44	4700239885	1	Cover	
45	4700281183	1	Crank holder	
46	4700500053	2	Screw	M8x20H 8.8
47	4700904229	2	Washer	8,4x16x1,5
48	4700570005	2	Nut	M8
49	4700239888	1	Hose clamp	
51	4700791139	1	Stud	
52	4700904231	4	Washer	13x24x2 300 HV
53	4700500046	2	Screw	
54	4700935753	1	Gasket	
55	4700935752	2	Washer	
56	4700938595	2	Screw	
57	4700239520	3	Washer	
58	4700500047	2	Screw	

B) Including item 21, 20 and 35

C) Including item 35, 42 and 37

Engine, Hatz 1D81S From SN -47501033

16343-1



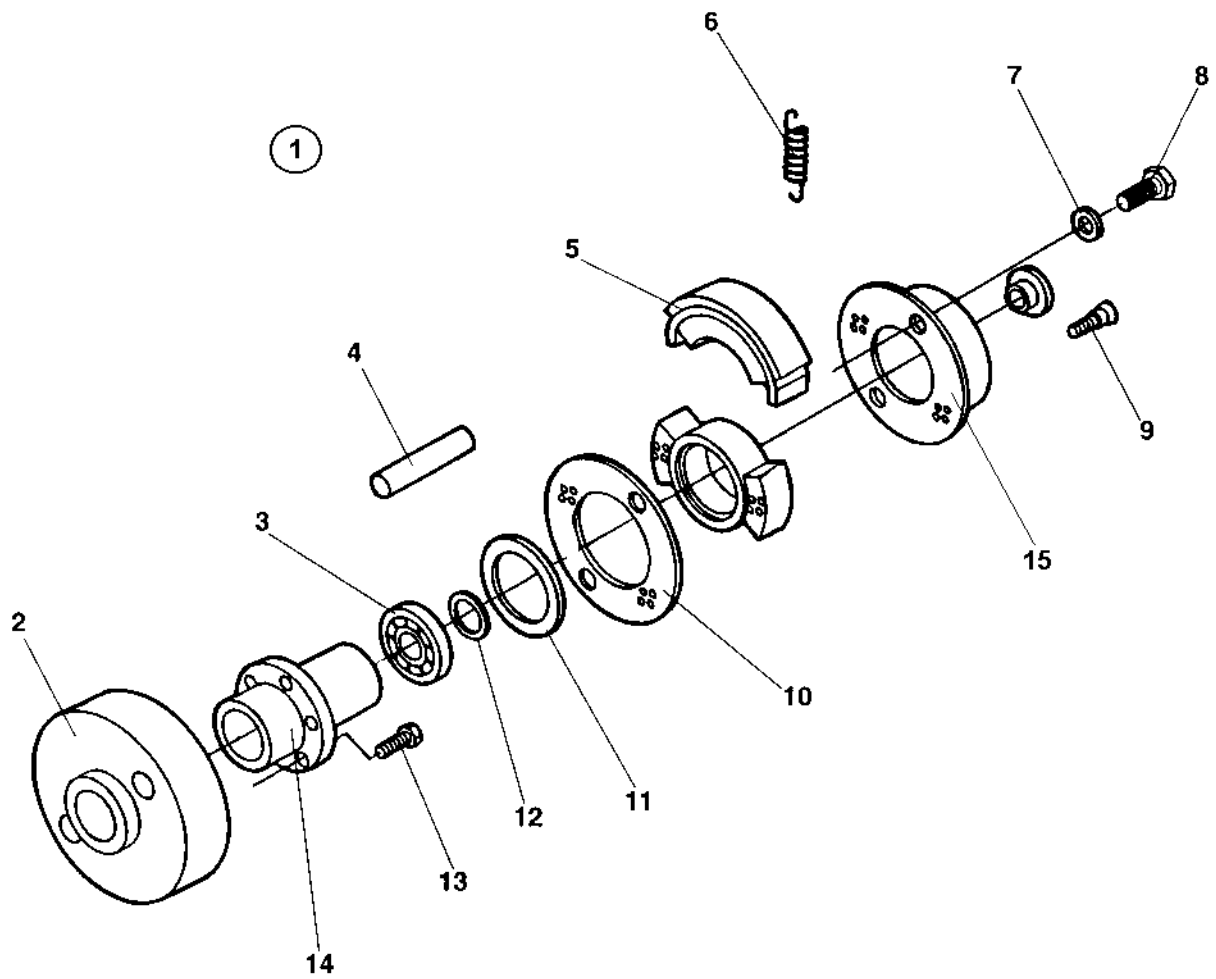
Engine, Hatz 1D81S From SN -47501033

Item	Part No.	Rem. Qty	Description	Code
59		1	Bracket	
60	4700239439	1	Crank handle, cpl	
61	4700287441	4	Shock absorber	D
62			Washer	D
63			Nut	D
64			Screw	D
65		1	Adapter	D
66	4700500029	2	Screw	
67	4700244054	1	Hose reinforced	
68	4700185324	2	Nipple	D
69	4700182947	1	Adapter	D
70	4700313003	1	Hose clamp	D
71	4700281115	2	Screw	
72	4700281116	2	Ryw-clips	
73	4700928849	1	Nut	M12-1,75
74	4700500194	1	Screw	

Transmission

Item	Part No.	Rem. Qty	Description	Code
10			Clutch (Page 26)	
20			Drive system (Page 28)	Up to SN 47500530
30			Drive system (Page 30)	From SN 47500531

Clutch
17365

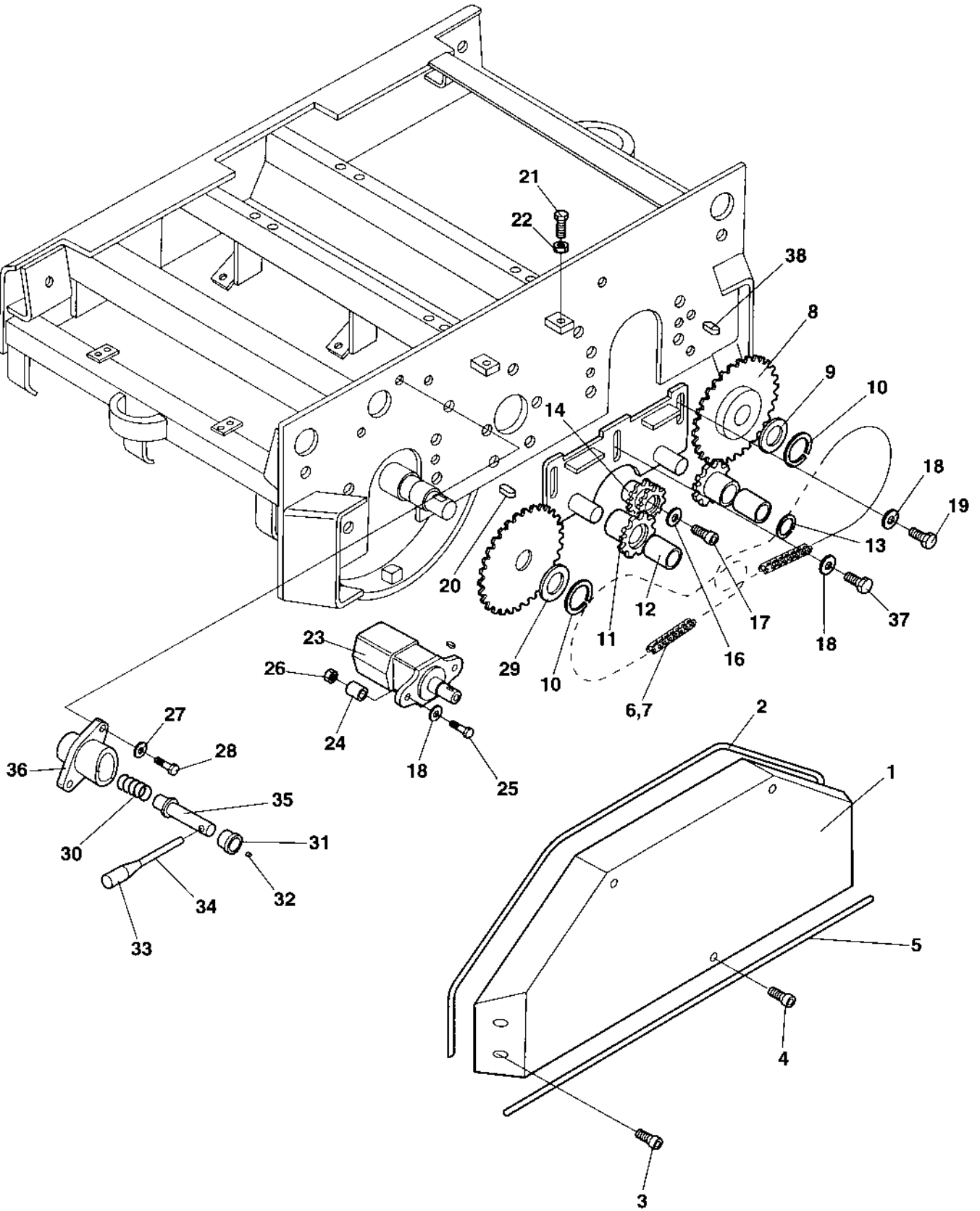


Clutch

Item	Part No.	Rem. Qty	Description	Code
1	4700286937	1	Clutch, cpl Up to 47500667	D
	4700387730	A 1	Clutch, cpl From 47500668	
2	4700937038	1	.Clutch housing Up to 47500667	
	4700937704	1	.Clutch housing From 47500668	
3	4700111180	1	.Ball bearing	D
4	4700239933	4	.Pin	
5	4700239932	2	.Lining	B
6	4700421246	2	.Spring	B
7	4700239934	2	.Lock washer	
8	4700508009	2	.Screw	
9	4700239935	4	.Screw Up to 47500667	
	4700937039	4	.Screw From 47500668	
10	4700936586	1	.Cover	
11	4700151019	1	.Retaining ring	D
12	4700150012	1	.Snap ring	D
13	4700936110	6	.Screw	
14	4700939393	1	.Splined sleeve	
15	4700939116	1	.Flange	

M6x12

A) Clutch, cpl is interchangeable



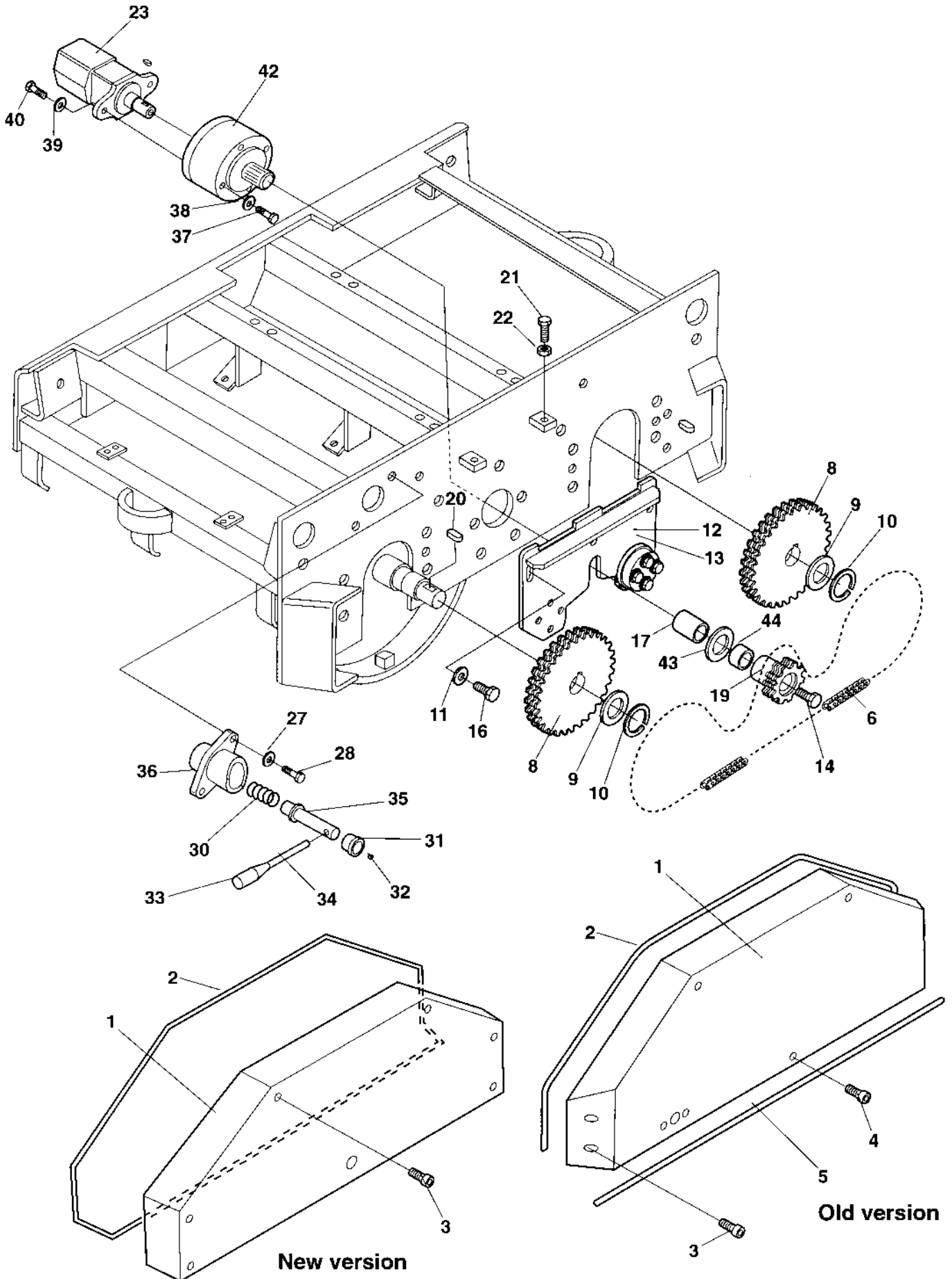
Drive system Up to SN 47500530

Item	Part No.	Rem. Qty	Description	Code
1	4700286236	1	Chain cover	
2	4700183070	1	Rubber list	
3	4700508033	4	Screw	
4	4700923929	3	Screw	
5	4700926243	1	Rubber list	
6	4700286802	1 2	Chain, cpl	B
7	4700286662	2	Chain lock	B
8	4700272478	2	Gear wheel	
9	4700600019	1	Washer	
10	4700150015	2	Snap ring	
11	4700272546	2	Gear wheel	
12	4700110038	2	Bushing	
13	4700150012	2	Snap ring	D
14	4700183767	1	Gear	
15	4700286800	1	Hold	
16	4700901688	1	Washer	
17	4700500022	1	Screw	M8x30H 8.8 A2K
18	4700600009	5	Washer	13x24x2,5
19	4700947686	2	Screw	M12-1,75x25
20	4700350266	2	Key	D
21	4700500171	2	Screw	
22	4700570007	2	Hexagon nut	M12
23		1	Hydraulic motor	
24	4700274794	2	Spacer ring	
25	4700500175	2	Screw	
26	4700586019	2	Lock nut	
27	4700615044	2	Washer	D
28	4700500028	2	Screw	
29	4700286817	1	Washer	
30	4700286831	1	Spring	
31	4700286832	1	Bushing	
32	4700516043	1	Set screw	
33	4700928940	1	Handle	
34	4700286829	1	Arm	
35	4700286828	1	Shaft	
36	4700286827	1	Housing	
37	4700500035	1	Screw	M12x020H
38	4700928788	1	Key	D

1) Chainbreakage? to avoid it we recom. rebuilding kit 4700286408

Drive system From SN 47500531

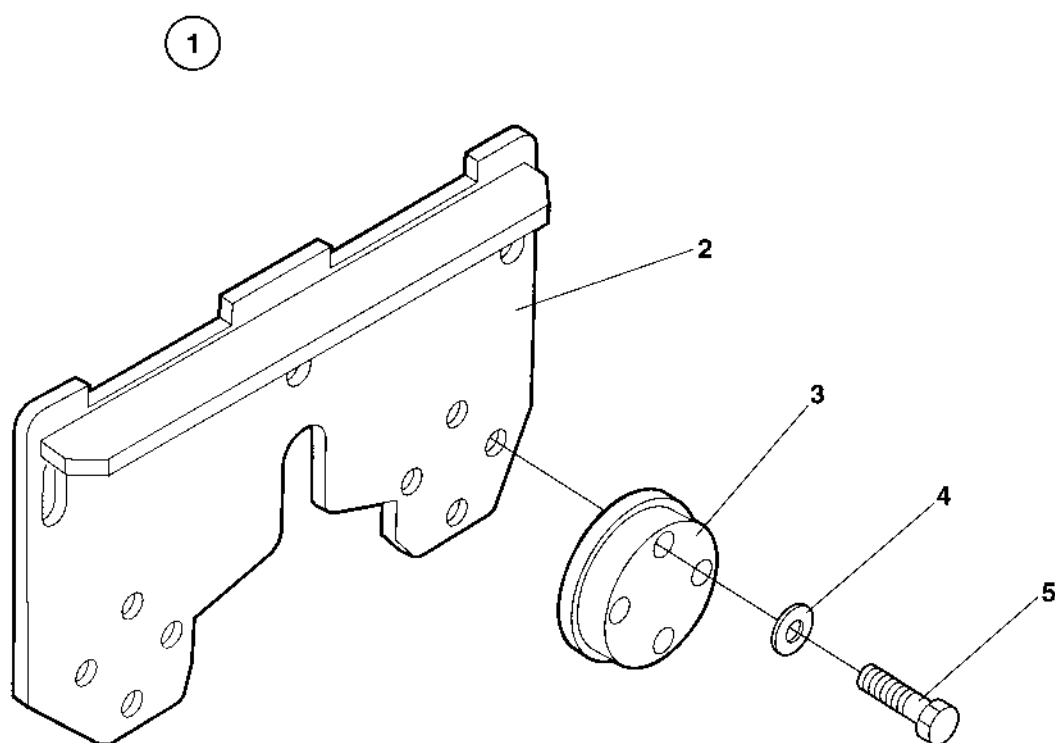
16426-1



Drive system From SN 47500531

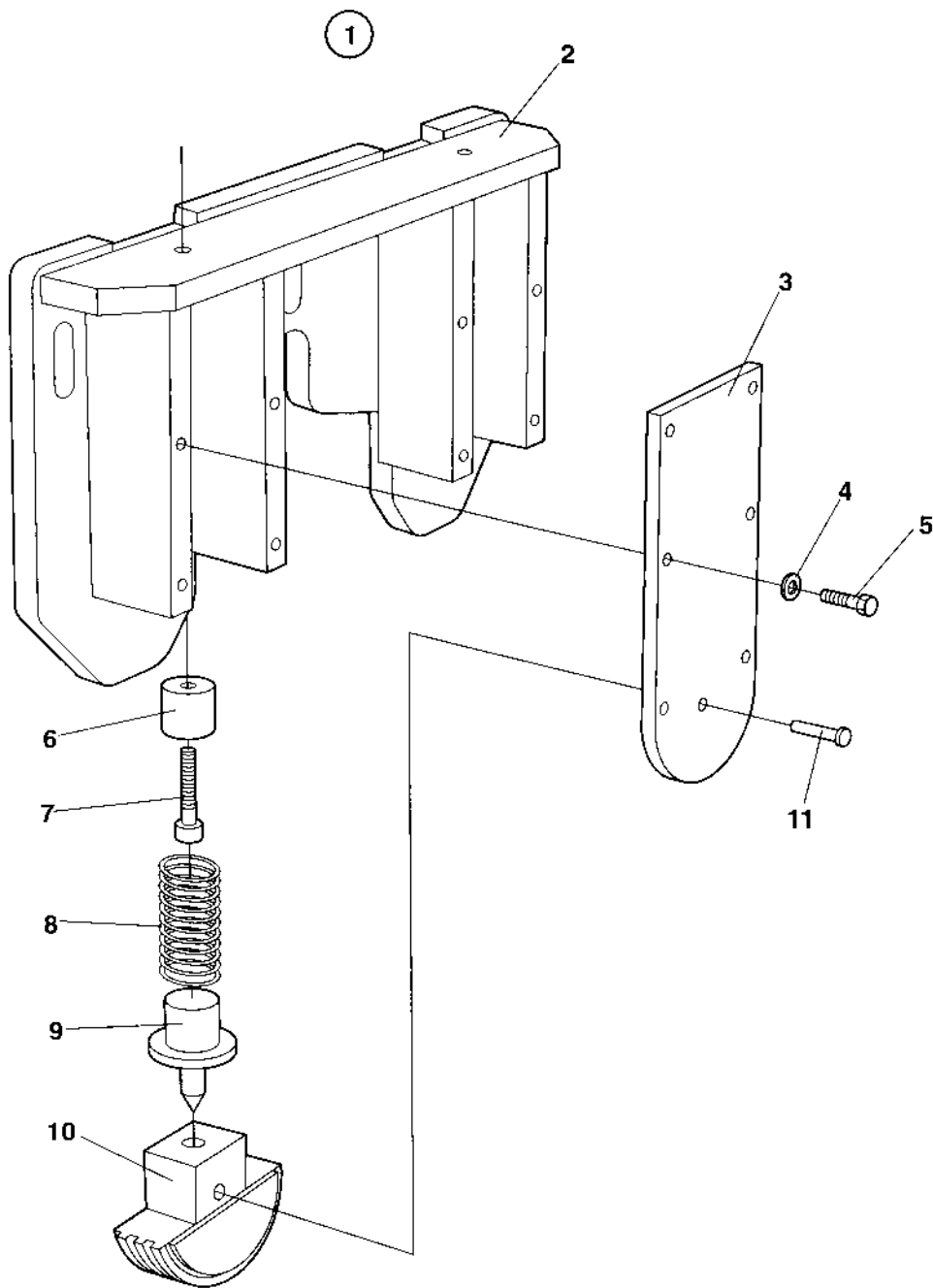
Item	Part No.	Rem. Qty	Description	Code
1	4700286236	A 1	Chain cover	
	D380377-02	B 1	Chain cover	
2	4700183070	C 1	Rubber list	
	4700380257	D 1	Rubber list	
3	4700508033	C 4	Screw	
4	4700923929	C 3	Screw	
	4700923929	D 7	Screw	
5	4700926243	C 1	Rubber list	
6	4700904461	1	Chain	B
8	4700286396	2	Gear wheel	
9	4700286428	2	Washer	
10	4700150015	2	Snap ring	
11	4700904703	5	Washer	
12	4700286400	A 1	Chain tensioner (Page 32)	
13	4700380201	B 1	Chain tensioner (Page 34)	
14	4700500035	1	Screw	M12x020H
16	4700947687	5	Screw	M12-1,75x30 10,9
17	4700903912	1	Washer	
19	4700286482	1	Chain wheel	
20	4700350266	2	Key	D
21	4700500103	2	Screw	M12x60H 8,8
22	4700570007	2	Hexagon nut	M12
23		E 1	Hydraulic motor	
27	4700904230	2	Washer	
28	4700500028	2	Screw	
30	4700286831	1	Spring	
31	4700286832	1	Bushing	
32	4700516043	1	Set screw	
33	4700928940	1	Handle	
34	4700286829	1	Arm	
35	4700286828	1	Shaft	
36	4700286827	1	Housing	
37	4700500269	4	Screw	
38	4700600009	4	Washer	13x24x2,5
39	4700600009	2	Washer	13x24x2,5
40	4700947690	2	Screw	
42	4700286399	1	Bearing housing	
43	4700904505	N	Shims	35x50x1
	4700904506	N	Shims	32x50x2
	4700904507	N	Shims	32x50x2,5
	4700904508	N	Shims	32x50x4
44	4700286483	1	Spacer sleeve	

- A) Old version
- B) New version
- C) Use together with part 4700286236
- D) Use together with part 4700380377
- E) See section hydraulic system



4700286400 Chain tensioner

Item	Part No.	Rem. Qty	Description	Code
1		1	Chain tensioner	
2	4700286390	1	.Holder plate	
3	4700286398	2	.Plastic wheel	
4	4700904230	8	.Washer	
5	4700500033	8	.Screw	M10-1,5x60 8,8



4700380201 Chain tensioner

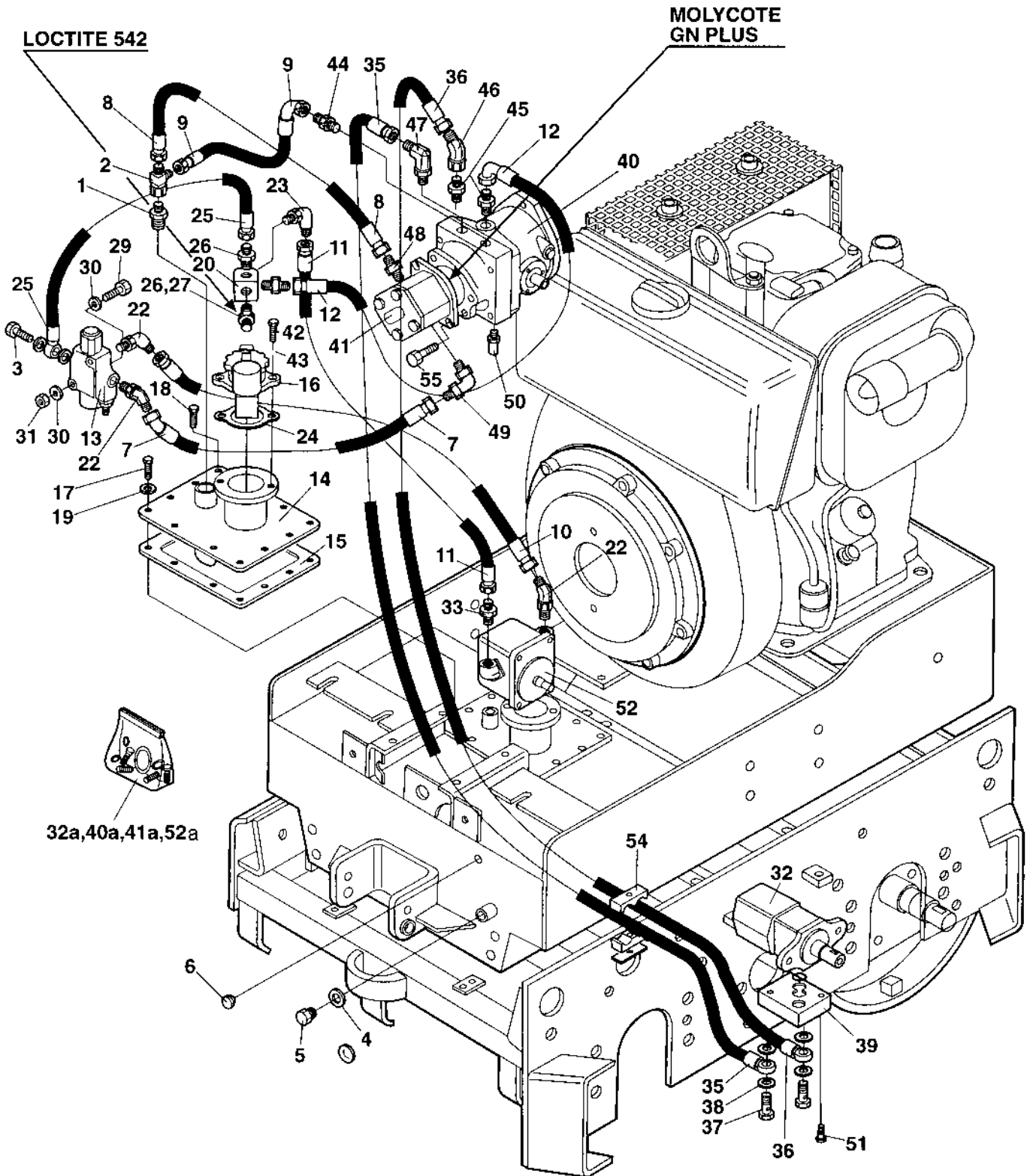
Item	Part No.	Rem. Qty	Description	Code
1		1	Chain tensioner	
2	4700380188	1	.Holder plate	
3	4700380200	2	.Cover plate	
4	4700904228	12	.Washer	6,4x12x1,5
5	4700500013	12	.Screw	M6-1x16 8,8
6	4700380198	2	.Spring collar	
7	4700508027	2	.Screw	
8	4700904460	2	.Compression spring	
9	4700380197	2	.Spring collar	
10	4700380199	2	.Plastic part	
11	4700530029	1	.Clevis pin	

Hydraulic system

Item	Part No.	Rem. Qty	Description	Code
10			Hydraulic system (Page 38)	
20	4700286912		Hydraulic pump (Page 42)	C
30			Hydraulic pump installation (Page 44)	
40	4700286768		Hydraulic motor (Page 46)	C

Hydraulic system

16346-1



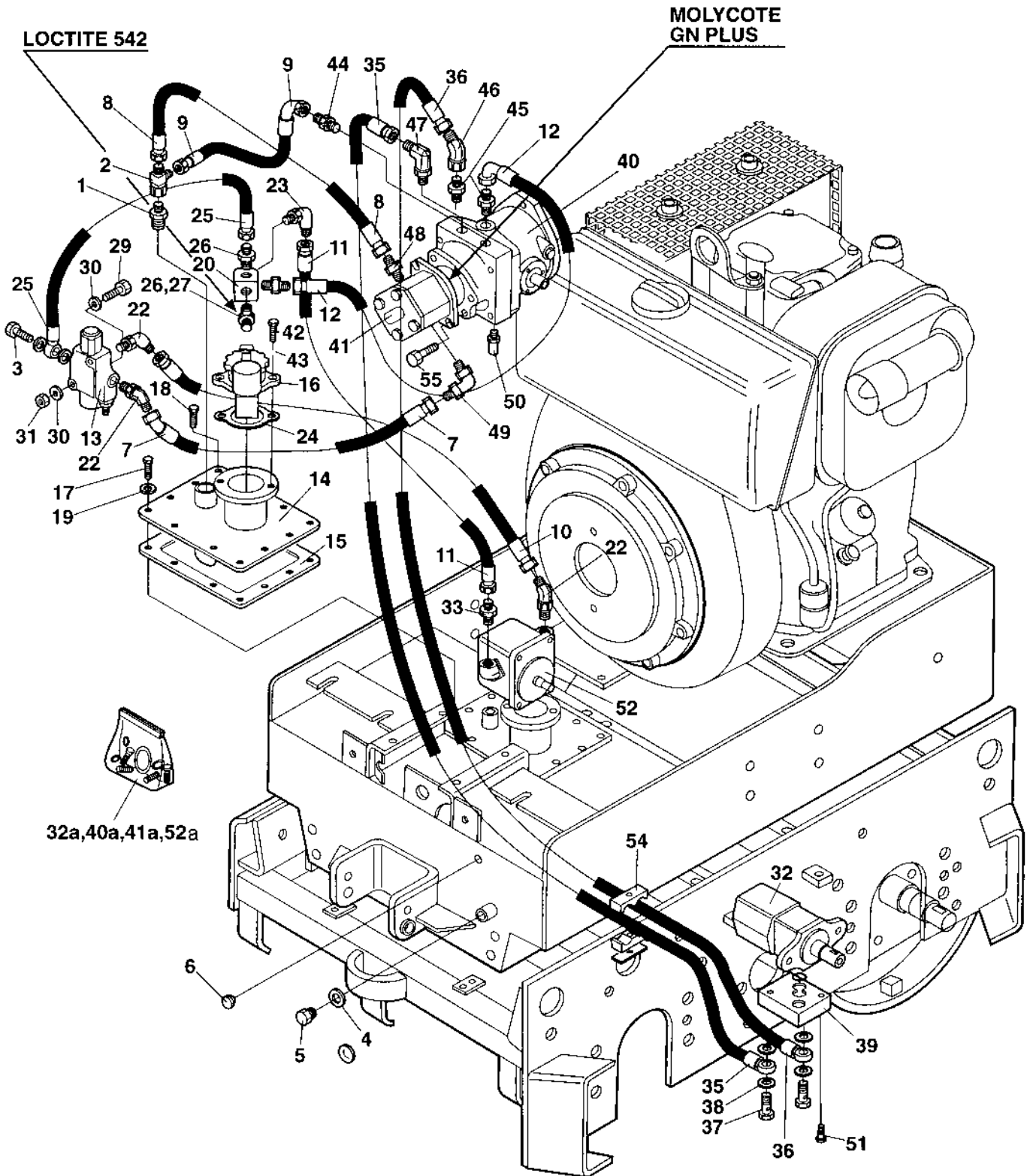
Hydraulic system

Item	Part No.	Rem. Qty	Description	Code
1	4700334215	1	Adapter	
2	4700286948	1	Adapter	
3	4700287827	1	Banjo screw	
4	4700162011	1	Washer, sealing	D
5	4700232241	1	Oil plug	D
6	4700499127	1	Sight plug	
7	4700287800	1	Hydraulic hose	D
8	4700287801	1	Hydraulic hose	D
9	4700287802	1	Hydraulic hose	D
10	4700287803	1	Hydraulic hose	D
11	4700287804	1	Hydraulic hose	D
12	4700287805	1	Hydraulic hose	D
13	4700286915	G	1 Valve Up to 47501525	D
	4700378578		1 Valve From 47501526 Up to 47501532	
	4700286915	G	1 Valve From 47501533 Up to 47501335	D
	4700378578		1 Valve From 47501536	
14	4700286860	1	Hydraulic cover	
15	4700286859	1	Gasket	D
16	4700288092	1	Filter, cpl	
	4700288358	1	Ventilating filter	A
	4700239627	1	.Filter element	A
	4700239628	1	Cover	
17	4700500019	11	Screw	
18	4700500021	1	Screw	M8-1,25x25 8.8
19	4700162009	12	Seal ring	D
20	4700286920	1	Distribution block	
21	4700334165	2	Adapter	
22	4700287822	4	Adapter	
23	4700923407	1	Adapter	
24	4700286953	1	Gasket	D
25	4700287806	1	Hydraulic hose	D
26	4700162028	2	Seal ring	
27	4700287812	1	Adapter	
29	4700500026	E	2 Screw	M8-1,25x60 8,8
	4700500189	F	2 Screw	
30	4700904229	4	Washer	8,4x16x1,5
31	4700586003	2	Lock nut	M8
32	4700286768	1	Hydraulic motor (Page 46)	C
32-A	4700239281	A	1 Gasket kit	D
32-B	4700936782	B	1 Gasket kit	
34	4700287822	2	Adapter	
35	4700286947	1	Hydraulic hose	D
36	4700286946	1	Hydraulic hose	D
37	4700286212	2	Banjo bolt	
38	4700286215	4	Washer, sealing	
39	4700286277	1	Check valve double	D
40	4700286912	1	Hydraulic pump (Page 42)	C
40-A	4700923093	1	Gasket kit	D
41	4700286913	1	Hydraulic pump, vibration	C
41-A	4700239921	1	Gasket kit	D
42	4700500028	2	Screw	

- A) Up to hydraulic motor S/N:344, (week34, year-94)
- B) From hydraulic motor S/N: 355, (week35, year-94)
- E) Old version, for valve 4700286915
- F) New version, for valve P/N: 4700378578
- G) Replaced by P/N:4700378578

Hydraulic system

16346-1



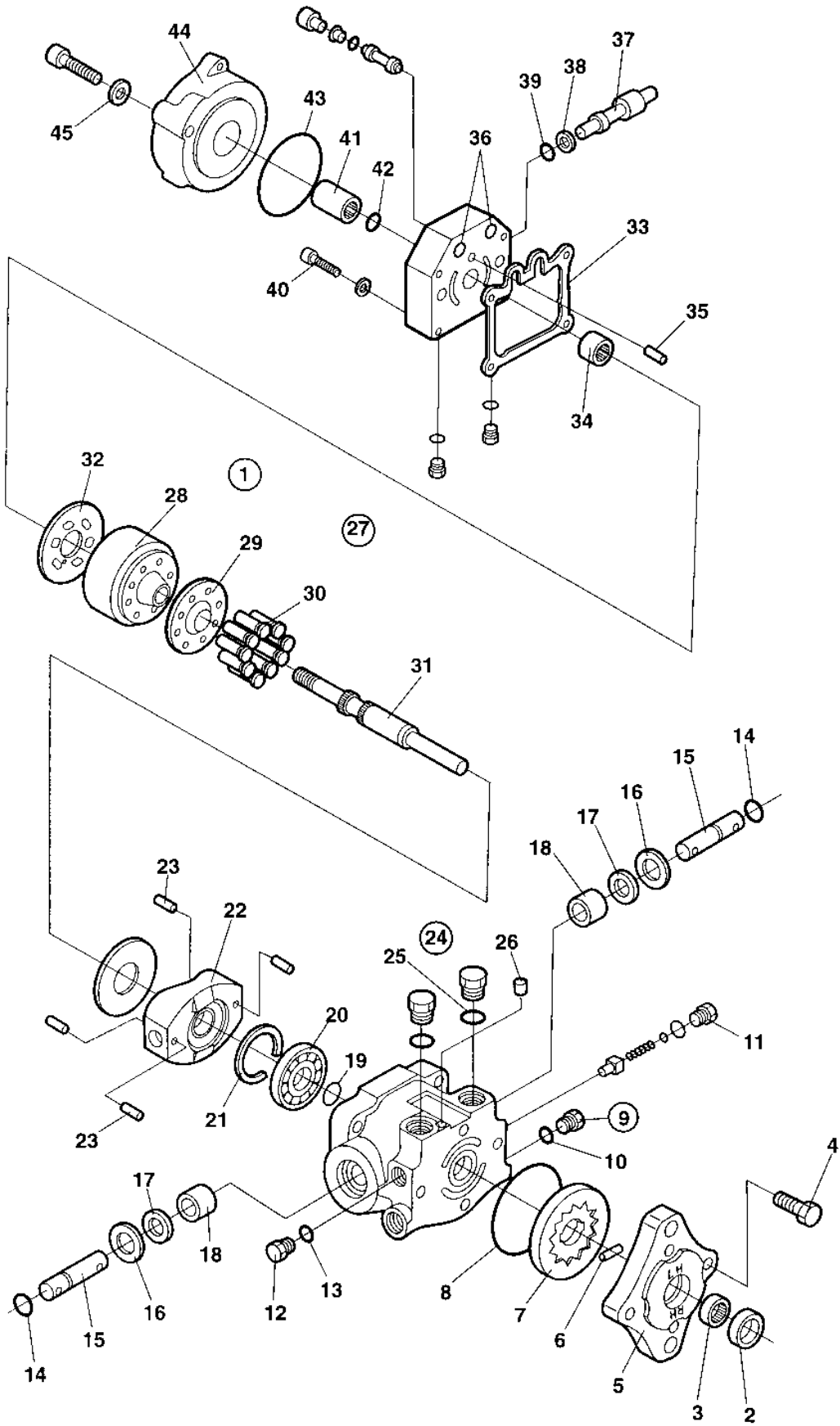
Hydraulic system

Item	Part No.	Rem. Qty	Description	Code
43	4700904230	2	Washer	
44	4700314197	1	Elbow 90	
45	4700334121	C 2	Straight connector	
	4700234218	D 2	Tee-connector	
	4700791320	D 2	Measuring fitting	
46	4700286940	C 1	Adapter	45'
47	4700813444	C 1	Elbow 90, O-ring	
48	4700334124	1	Connector	
49	4700334558	1	Elbow 90G with O-ring	
50	4700910161	1	Measuring nipple	D
51	4700508056	2	Screw	M8x40
52	4700286914	1	Hydraulic motor, vibration	C
52-A	4700239922	1	Gasket kit	D
54	4700286954	1	Clamp	
55	4700509012	2	Screw	
		1		
		1		

- C) Old version
- D) New version

4700286912 Hydraulic pump

16347



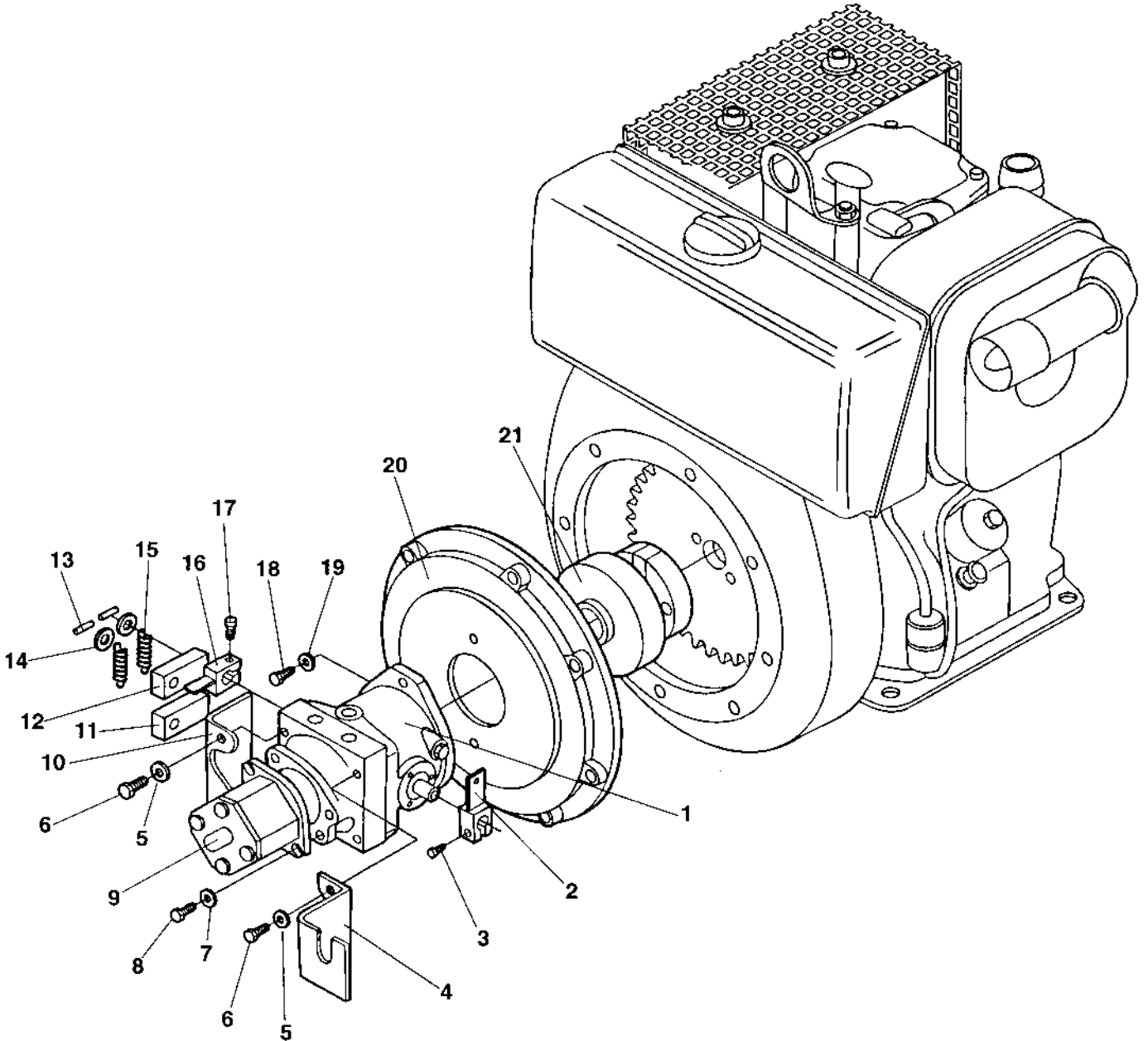
4700286912 Hydraulic pump

Item	Part No.	Rem. Qty	Description	Code
1		1	Hydraulic pump	
2	4700923092	1	.Oil seal	
3	4700910723	1	.Grease fitting	
4	4700910718	4	.Screw	
5	4700910748	1	.Housing	
6	4700910746	1	.Pin	
7	4700910738	A	.Rotor	
	4700939221	B	.Rotor	
8	4700910720	1	.O-ring	
9	4700910709	1	.Plug, cpl	
10	4700923090	1	.O-ring	
11	4700923088	1	.Relief valve, cpl	
12	4700910743	1	.Plug, cpl	
13	4700910713	1	.O-ring	
14	4700910710	2	.Snap ring	
15	4700910732	2	.Trunnion shaft	
16	4700910716	2	.Washer	
17	4700910744	2	.End cover	
18	4700910717	2	.Grease fitting	
19	4700910724	1	.Snap ring	
20	4700910719	C	.Ball bearing	
	4700939293	D	.Ball bearing	
21	4700910741	1	.Snap ring	
22	4700910733	1	.Swash plate	
23	4700910737	4	.Expanding pin	
24	4700910722	2	.Plug, cpl	
25	4700923087	1	.O-ring	D
26	4700813825	4	.Plug	
27	4700910735	1	.Cylinder block, cpl	
28		1	.Cylinder block	
29		1	.Retainer	
30		9	.Piston	
31	4700239931	1	.Pump shaft	
32	4700910730	1	.Valve plate	
33	4700910729	1	.Gasket	
34	4700910711	1	.Grease fitting	
35	4700910712	1	.Screw	
36	4700910707	1	.O-ring	
37	4700239868	1	.By-pass valve	
38	4700910742	1	.Ring	
39	4700910706	1	.O-ring	
40	4700910715	4	.Screw	
41	4700239926	1	.Splined sleeve	
42	4700239925	1	.Snap ring	
43	4700239927	1	.O-ring	
44	4700239928	1	.Flange	
45	4700239929	4	.Washer	

- A) With 6 splines
- B) With 12 splines
- C) For shaft with 20 mm diameter
- D) For shaft with 22 mm diameter

Hydraulic pump installation

17364



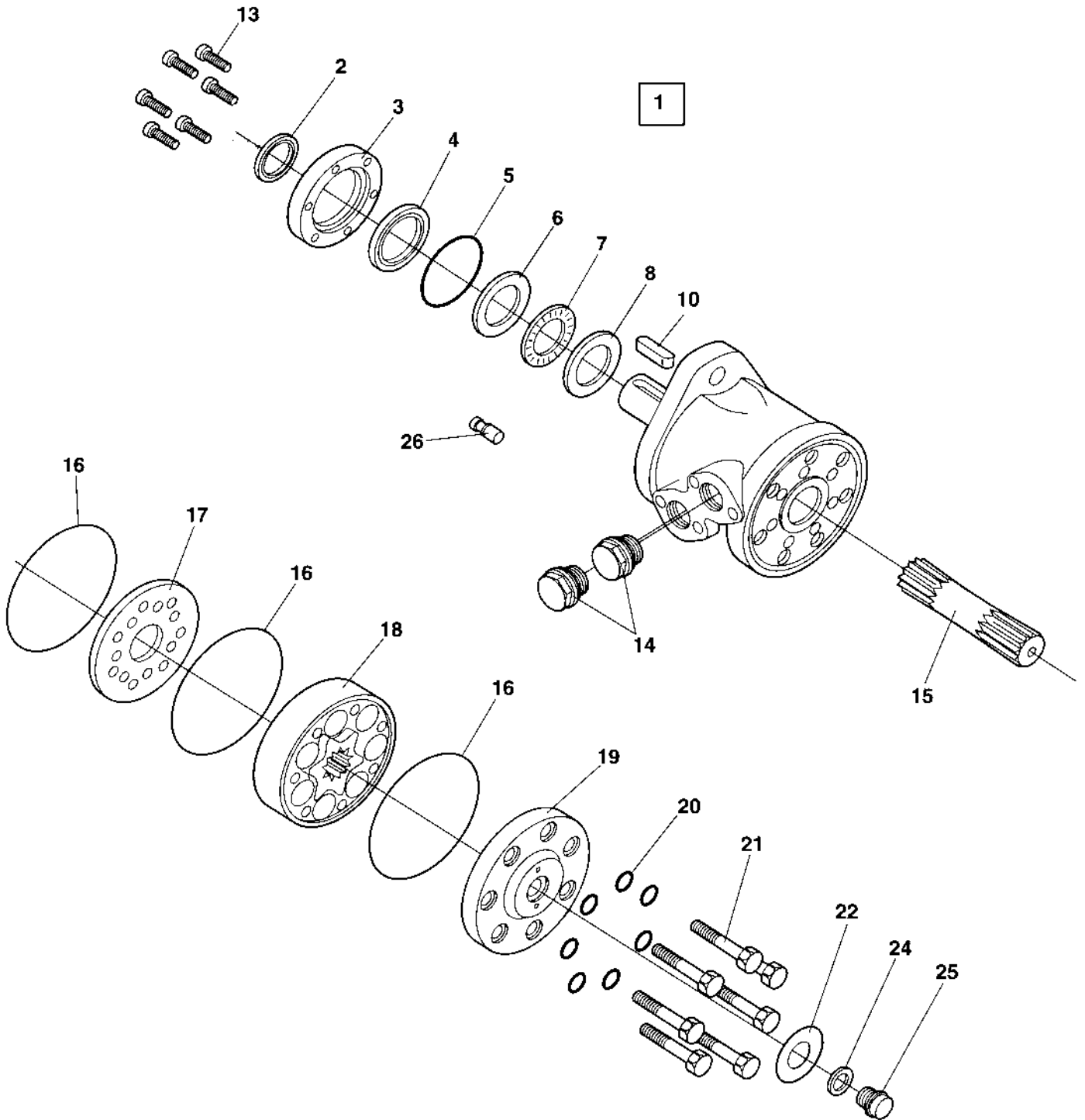
Hydraulic pump installation

Item	Part No.	Rem. Qty	Description	Code
1	4700286912	1	Hydraulic pump (Page 42)	C
2	4700286889	A 1	Lever Up to 47501279	
	4700385866	1	Lever From 47501280	
3	4700900606	1	Screw Up to 47501279	
	4700791269	1	Spirol pin From 47501280	
4	4700286890	1	Retainer	
5	4700615043	4	Washer	8,4x18x2
6	4700910715	4	Screw	
7	4700904230	2	Washer	
8	4700509012	2	Screw	
9	4700286913	1	Hydraulic pump, vibration	C
10	4700183593	1	Holder	
11	4700183595	1	Lever	
12	4700183597	1	Lever	
13	4700183596	2	Split pin	
14	4700904232	4	Washer	
15	4700184848	2	Spring	
16	4700183594	1	Lever	
17	4700900606	2	Screw	
18	4700508079	2	Screw	M12-1,75x35H 8,8
19	4700904231	2	Washer	13x24x2 300 HV
20		1	Adapter	
21		1	Clutch	

A) Replaced by lever P/N:4700385866 and one spirol pin 4700P/N:791269

4700286768 Hydraulic motor

16350

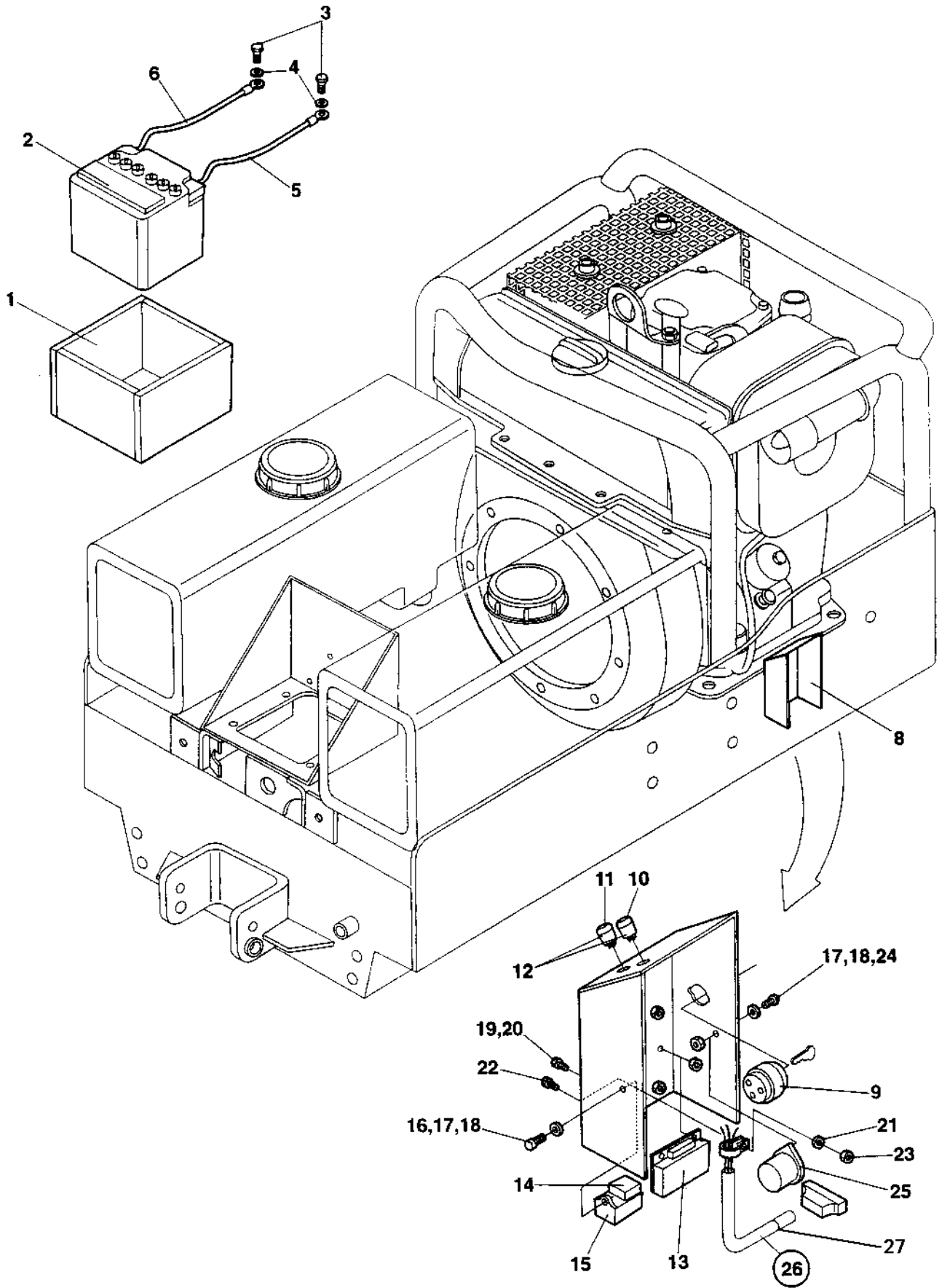


4700286768 Hydraulic motor

Item	Part No.	Rem. Qty	Description	Code
1		1	Hydraulic motor	
2	4700936150	1	.End cover	
3	4700936148	1	.Spigot flange	
4	4700936151	1	.Shaft seal	
5	4700936152	1	.O-ring	
6	4700936153	1	.Bearing race	
7	4700936154	1	.Bearing	
8	4700936162	1	.Bearing race	
10	4700936165	1	.Parallel key	
11	4700936163	1	.Needle bushing	
12	4700936164	1	.Needle bushing	
13	4700936149	6	.Screw	
14	4700936169	2	.Seal plug	
15	4700936166	1	.Cardan shaft	
16	4700936155	3	.O-ring	
17	4700936156	1	.Distributor plate	
18	4700936168	1	.Gear wheel set	
19	4700936157	1	.End cover	
20	4700936158	7	.Washer	
21	4700936167	7	.Screw	
22	4700936161	1	.Name plate	
24	4700936160	1	.Washer	
25	4700936159	1	.Drain plug	
26	4700910689	2	.Check valve	

Electrical equipment

Item	Part No.	Rem. Qty	Description	Code
10			Electrical equipment (Page 50)	



Electrical equipment

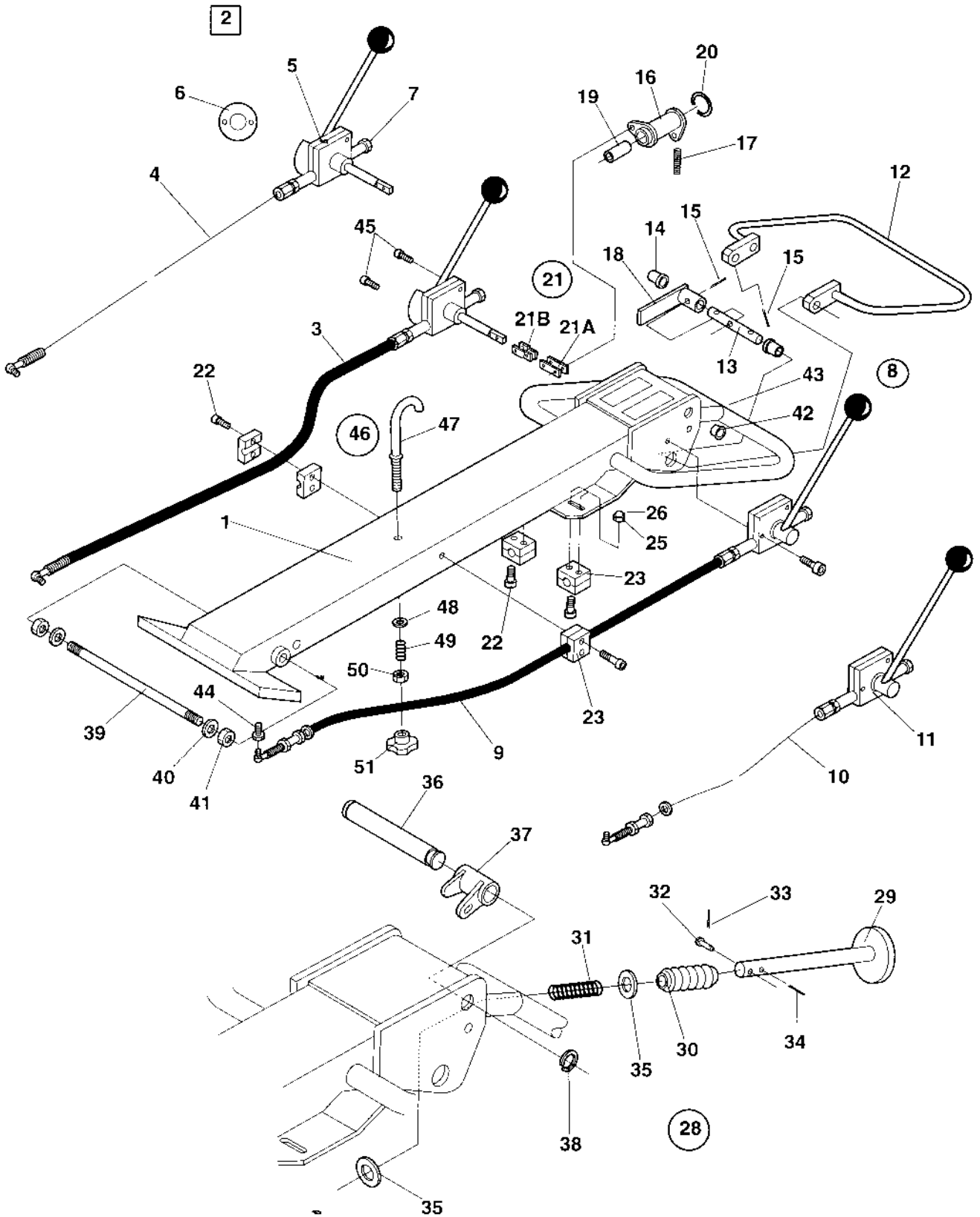
Item	Part No.	Rem. Qty	Description	Code
1	4700286919	1	Battery insulation	
2	4700288330	1	Battery	
3	4700500077	2	Screw	
4	4700615044	2	Washer	D
5	4700287811	1	Battery cable	(-)
6	4700287819	1	Battery cable	(+)
7	4700288128	A	Edge trim	
8	4700286896	1	Switch board	
9	4700238158	1	Ignition switch	
	4700238236	1	Ignition key	D
10	4700239466	1	Oil pressure lamp	D
11	4700239463	1	Charge lamp	D
12	4700985012	2	Bulb	D
13	4700281458	1	Start protect mod.	D
14	4700281457	1	Relay	D
15	4700239642	1	Relay socket	
16	4700903903	1	Screw	
17	4700615041	2	Washer	5,3x11
18	4700586001	2	Lock nut	
19	4700903902	2	Screw	
20	4700923976	2	Nut	
21	4700921078	1	Clamp	
22	4700500012	1	Screw	M6x12
23	4700586002	1	Lock nut	M6 -8
24	4700903913	1	Screw	
25	4700239877	1	Summer	12V
26	4700239920	1	Cable harness, cpl	
27	4700940313	B	.Cover	

- A) L=0,7M
- B) Cover for fuse holder

Handle and controls

Item	Part No.	Rem. Qty	Description	Code
10			Handle (Page 54)	

Handle
16349-3



Handle

Item	Part No.	Rem. Qty	Description	Code
1	D286917-02	1	Handle	
2	4700286811	A 1	Control, direction	D
3	4700239512	B 1	.Wire cover with wire	
4	4700239545	A 1	.Innerwire	D
5	4700239509	1	.Control	
6	4700239507	1	..Sleeve	
7	4700239395	1	..Hollow screw	
8	4700286834	1	Control vibration cpl	D
9	4700239910	C 1	.Wire cover with wire	
10	4700239911	1	.Innerwire, vibration cpl	D
11	4700239510	1	.Control, vibration	D
12	4700184122	1	Dead man's handle	
13	4700184121	D 1	Shaft	
	4700382073	E 1	Shaft	
14	4700181690	2	Sleeve	
15	4700629016	3	Expanding	
16	4700183708	1	Lever	
17	4700183592	1	Spring	
18	4700183709	D 1	Lever	
	4700382072	E 1	Lever	
19	4700110051	2	Sleeve	
20	4700150005	1	Snap ring	
21		1	Chain lock, cpl	
21-A	4700286662	1	.Chain lock	B
21-B	4700286661	1	.Chain lock	
22	4700508018	8	Screw	
23	4700904905	4	Clamp	
25	4700904228	4	Washer	6,4x12x1,5
26	4700581018	4	Nut	
28	4700286935	1	Push stop, cpl	
29	4700184085	1	.Plate	
30	4700385060	1	.Bellows	D
31	4700274633	1	.Spring	
32	4700184089	1	.Clevis pin	
33	4700630004	1	.Split pin	
34	4700630008	1	.Pin	D
35	4700904232	2	.Washer	
36	4700184132	1	.Shaft	
37	4700184086	1	.Lever	
38	4700150015	1	.Snap ring	
39	4700286866	1	.Shaft	
40	4700904232	2	.Washer	
41	4700586021	2	.Nut	M16
42	4700184111	2	Plug	
43	4700286259	1	Cover	
44	4700286853	1	Screw	
45	4700508026	4	Screw	
46		1	Hook	
47	4700280519	1	.Hook	
48	4700904230	1	.Washer	
49	4700357847	1	.Spring	
50	4700573005	1	.Nut	
51	4700499174	1	.Knob	

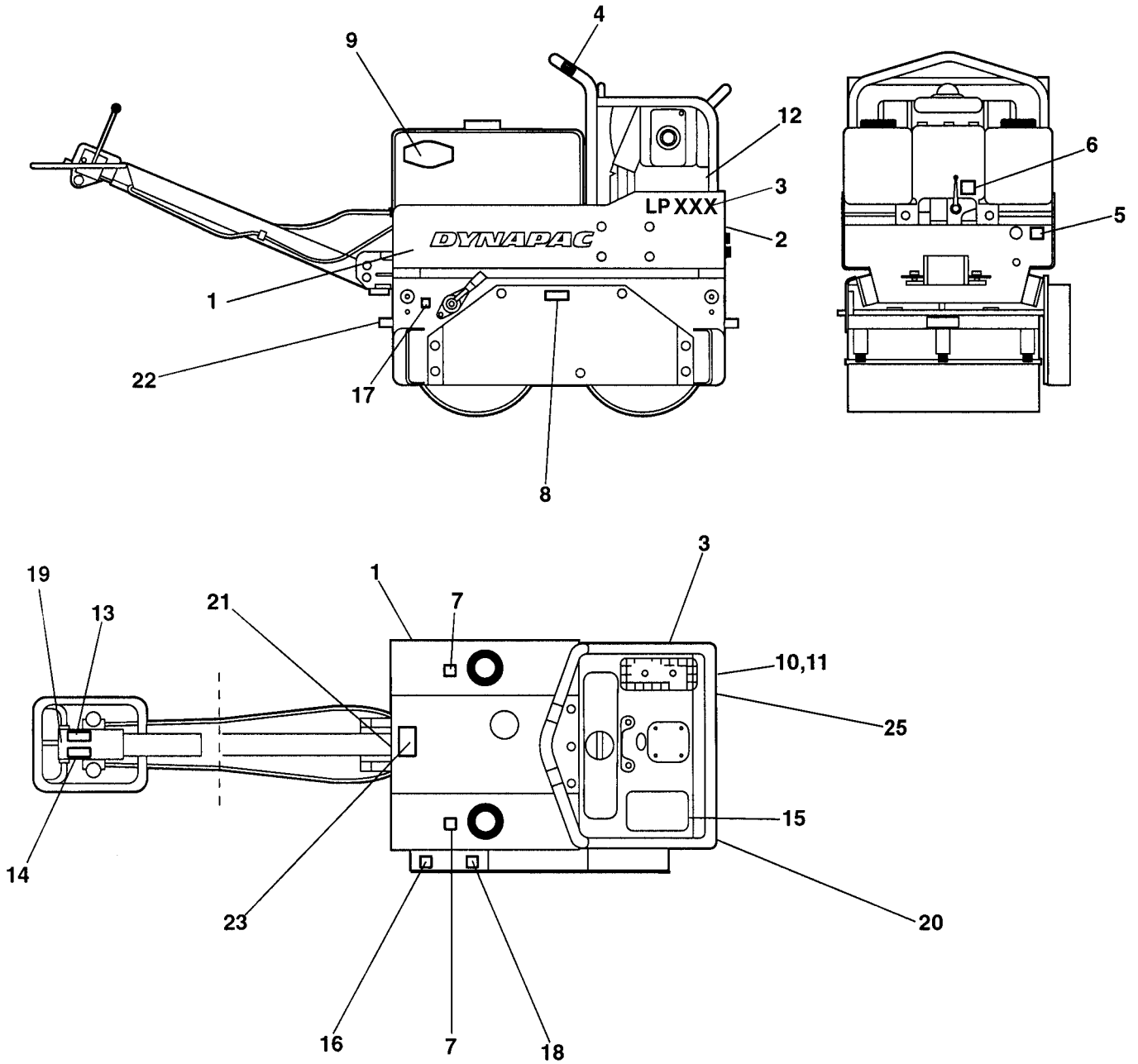
- A) Forward/reverse cpl
- B) Forward/reverse
- C) Vibration
- D) Old version
- E) New version

Decals and documentation

Item	Part No.	Rem. Qty	Description	Code
10			Decals and documentation (Page 58)	

Decals and documentation

16394-2



24

Decals and documentation

Item	Part No.	Rem. Qty	Description	Code
1	4700904092	2	Decal "DYNAPAC"	L=590 mm
2	4700904096	1	Decal "DYNAPAC"	L=420 mm
3	4700791160	2	Decal "MODEL CODE"	
4	4700281269	2	Decal "LIFT"	
5	4700272373	1	Decal "HYDRAULIC OIL"	
6	4700272371	1	Decal "SPRINKLER"	
7	4700271419	2	Decal "WATER"	
8	4700791088	1	Decal	
9	4700282589	1	Decal	
10	47281270SE	1	Product identification plate CE	
	4700990001	1	Identification plate	
11	4700527002	4	Drive screw	
12	4700272516	1	Decal "START"	
13	4700272381	1	Decal "VIBRATION"	
14	4700272382	1	Decal "FORWARD/REVERSE"	
15	4700239924	1	Decal "STOP"	
16	4700356922	1	Decal	
17	4700381601	1	Decal	
18	4700356923	1	Decal	
19	4700281898	1	Decal "Ear protection"	
20	4700903424	1	Decal "HOT SURFACE"	
21	4700904680	1	Decal "Read instruction manual"	
22	4700382751	1	Decal "TIE DOWN POINT"	
23	4700908229	1	Safety decal	
24		1	Documentation	
		1	.Instruction book, Hatz	
		1	.Operation and maintenance	ILP650
		1	.Spare parts catalogue	SLP750
		1	.Warranty registration certificate	
		1	.Warranty conditions	
25	4700791297	1	Decal "Sound power level"	109dB

NUMERICAL INDEX

Part Number	Page	Part Number	Page	Part Number	Page
4700106838	9	4700239509	55	4700272507	13
4700110038	29	4700239510	55	4700272516	59
4700110051	55	4700239512	55	4700272546	29
4700111180	27	4700239516	17,21	4700272593	7
4700114007	13	4700239517	17	4700274589	13
4700114092	13	4700239518	17,21	4700274615	13
4700150005	55	4700239519	17,21	4700274618	13
4700150012	27,29	4700239520	17,21	4700274621	13
4700150015	29,31,55	4700239521	17,21	4700274622	13
4700150017	13	4700239522	17,21	4700274623	13
4700151019	27	4700239523	17,21	4700274624	13
4700160031	13	4700239524	17,21	4700274633	55
4700162009	13,39	4700239525	17,21	4700274794	29
4700162011	13,39	4700239526	17,21	4700280417	7
4700162028	39	4700239527	17,21	4700280519	55
4700163095	13	4700239529	17,21	4700281115	19,23
4700163096	13	4700239530	17,21	4700281116	19,23
4700181690	55	4700239531	17,21	4700281183	17,21
4700182947	9,19,23	4700239532	17	4700281269	59
4700183070	29,31	4700239533	17	4700281457	51
4700183592	55	4700239534	17,21	4700281458	51
4700183593	45	4700239545	55	4700281804	7
4700183594	45	4700239550	17	4700281898	59
4700183595	45	4700239553	17	4700282589	59
4700183596	45	4700239554	17	4700286212	39
4700183597	45	4700239627	39	4700286215	39
4700183708	55	4700239628	39	4700286236	29,31
4700183709	55	4700239642	51	4700286259	55
4700183767	29	4700239868	43	4700286277	39
4700183936	13	4700239877	51	4700286379	9
4700184011	9	4700239882	17,21	4700286390	33
4700184085	55	4700239883	17,21	4700286396	31
4700184086	55	4700239885	17,21	4700286398	33
4700184089	55	4700239886	17,21	4700286399	31
4700184111	55	4700239887	17,21	4700286400	31,33
4700184121	55	4700239888	17,21	4700286428	31
4700184122	55	4700239910	55	4700286482	31
4700184132	55	4700239911	55	4700286483	31
4700184848	45	4700239919	17	4700286661	55
4700185324	19,23	4700239920	51	4700286662	29,55
4700232241	13,39	4700239921	39	4700286768	37,39,47
4700234218	41	4700239922	41	4700286797	13
4700238158	51	4700239923	19	4700286799	13
4700238236	51	4700239924	59	4700286800	29
4700238360	17	4700239925	43	4700286802	29
4700239281	39	4700239926	43	4700286811	55
4700239326	17,21	4700239927	43	4700286817	29
4700239333	17,21	4700239928	43	4700286827	29,31
4700239335	17,21	4700239929	43	4700286828	29,31
4700239382	17	4700239931	43	4700286829	29,31
4700239395	55	4700239932	27	4700286831	29,31
4700239419	17	4700239933	27	4700286832	29,31
4700239421	17	4700239934	27	4700286834	55
4700239423	17,21	4700239935	27	4700286848	7,9
4700239424	17	4700244054	19,23	4700286852	7
4700239425	17	4700244055	9	4700286853	55
4700239428	17,21	4700271419	59	4700286854	7
4700239439	23	4700272371	59	4700286857	9
4700239463	51	4700272373	59	4700286859	39
4700239466	51	4700272381	59	4700286860	39
4700239501	17,21	4700272382	59	4700286866	55
4700239507	55	4700272478	29	4700286877	13

NUMERICAL INDEX

Part Number	Page	Part Number	Page	Part Number	Page
4700286878	13	4700379099	21	4700513013	13
4700286880	13	4700380188	35	4700513014	19
4700286882	13	4700380197	35	4700516043	29,31
4700286888	9	4700380198	35	4700527002	59
4700286889	45	4700380199	35	4700530029	35
4700286890	45	4700380200	35	4700570005	17,21
4700286896	51	4700380201	31,35	4700570006	7,19
4700286898	9	4700380257	31	4700570007	29,31
4700286907	7	4700380364	13	4700573005	55
4700286912	37,39,43,45	4700380369	13	4700581018	55
4700286913	39,45	4700380370	13	4700586001	51
4700286914	13,41	4700380768	7	4700586002	9,51
4700286915	39	4700381601	59	4700586003	39
4700286916	13	4700382072	55	4700586018	7
4700286919	51	4700382073	55	4700586019	7,29
4700286920	39	4700382751	59	4700586021	55
4700286921	17	4700385060	55	4700600004	9
4700286922	17	4700385866	45	4700600009	29,31
4700286926	7	4700387730	27	4700600019	29
4700286927	7	4700421246	27	4700603006	7
4700286929	7	4700499127	39	4700604007	19
4700286935	55	4700499174	55	4700615041	51
4700286937	27	4700500012	51	4700615043	45
4700286940	41	4700500013	35	4700615044	29,51
4700286945	13	4700500019	39	4700615045	9,17
4700286946	39	4700500021	7,39	4700615072	7
4700286947	39	4700500022	29	4700628007	13
4700286948	39	4700500026	39	4700629016	55
4700286953	39	4700500028	7,9,29,31,39	4700629033	13
4700286954	41	4700500029	19,23	4700630004	55
4700287441	17,23	4700500030	7	4700630008	55
4700287800	39	4700500031	7	4700791088	59
4700287801	39	4700500033	33	4700791139	21
4700287802	39	4700500035	29,31	4700791160	59
4700287803	39	4700500040	9	4700791269	45
4700287804	39	4700500046	21	4700791297	59
4700287805	39	4700500047	13,21	4700791320	41
4700287806	39	4700500051	7,9	4700813444	41
4700287811	51	4700500053	13,17,21	4700813825	43
4700287812	39	4700500058	17	4700900606	45
4700287819	51	4700500077	51	4700901688	29
4700287822	39	4700500103	31	4700903424	59
4700287827	39	4700500154	7	4700903902	51
4700288092	39	4700500171	29	4700903903	51
4700288128	51	4700500175	29	4700903912	31
4700288330	51	4700500189	39	4700903913	51
4700288358	39	4700500191	7	4700904092	59
4700313001	9	4700500194	7,17,23	4700904096	59
4700313003	19,23	4700500269	31	4700904228	35,55
4700314197	41	4700508002	9	4700904229	13,17,21,39
4700334121	41	4700508009	27	4700904230	7,31,33,39,45,55
4700334124	41	4700508018	55	4700904231	7,13,21,45
4700334165	39	4700508019	13	4700904232	7,13,45,55
4700334215	39	4700508025	21	4700904460	35
4700334558	41	4700508026	55	4700904461	31
4700350266	29,31	4700508027	35	4700904505	31
4700356922	59	4700508033	29,31	4700904506	31
4700356923	59	4700508056	41	4700904507	31
4700357847	55	4700508079	45	4700904508	31
4700371773	7	4700508092	13,17	4700904567	9
4700378578	39	4700508096	17	4700904680	59
4700379098	21	4700509012	41,45	4700904703	7,31

NUMERICAL INDEX

Part Number	Page	Part Number	Page	Part Number	Page
4700904905	55	4700936149	47		
4700908229	59	4700936150	47		
4700910161	41	4700936151	47		
4700910689	47	4700936152	47		
4700910706	43	4700936153	47		
4700910707	43	4700936154	47		
4700910709	43	4700936155	47		
4700910710	43	4700936156	47		
4700910711	43	4700936157	47		
4700910712	43	4700936158	47		
4700910713	43	4700936159	47		
4700910715	43,45	4700936160	47		
4700910716	43	4700936161	47		
4700910717	43	4700936162	47		
4700910718	43	4700936163	47		
4700910719	43	4700936164	47		
4700910720	43	4700936165	47		
4700910722	43	4700936166	47		
4700910723	43	4700936167	47		
4700910724	43	4700936168	47		
4700910729	43	4700936169	47		
4700910730	43	4700936586	27		
4700910732	43	4700936782	39		
4700910733	43	4700936907	21		
4700910735	43	4700936910	21		
4700910737	43	4700937038	27		
4700910738	43	4700937039	27		
4700910741	43	4700937428	21		
4700910742	43	4700937452	21		
4700910743	43	4700937616	21		
4700910744	43	4700937704	27		
4700910746	43	4700938594	21		
4700910748	43	4700938595	21		
4700920819	9	4700939116	27		
4700921072	7	4700939221	43		
4700921078	51	4700939293	43		
4700923087	43	4700939393	27		
4700923088	43	4700940313	51		
4700923090	43	4700947686	29		
4700923092	43	4700947687	31		
4700923093	39	4700947690	31		
4700923407	39	4700985012	51		
4700923929	29,31	4700990001	59		
4700923976	51	47281270SE	59		
4700924762	13	D100505036	7		
4700925519	13	D100901416	9		
4700926214	13	D283599-03	13		
4700926243	29,31	D286864-01	7		
4700928381	17	D286867-01	7		
4700928788	29	D286903-02	7		
4700928849	23	D286917-02	55		
4700928940	29,31	D380377-02	31		
4700935608	17,21				
4700935609	17				
4700935610	17				
4700935611	17,21				
4700935612	17,21				
4700935752	17,21				
4700935753	17,21				
4700935942	21				
4700936110	27				
4700936148	47				

